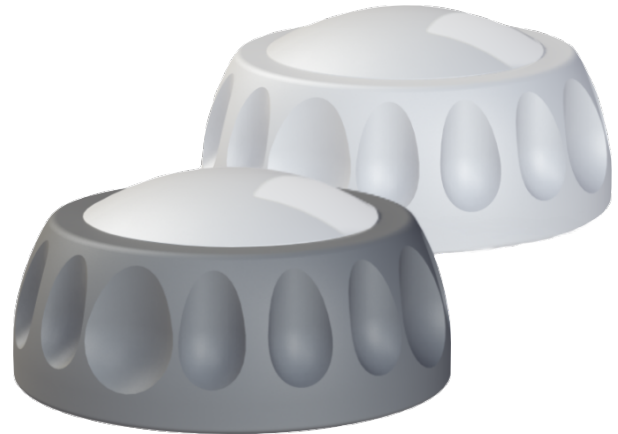


Specification	Data
Job Name	
Type	
Catalog #	
Comments	



PRODUCT OVERVIEW

The Combo Sensor is a D4i-based, intelligent wireless lighting controller that opens an exciting integration path for LED Luminaires.

The integrated sensors and wireless controls create a simplified and cost-effective solution for indoor and outdoor controls. This device autodetects both 0-10V Drivers and D4i Drivers to simplify the installation.

Pairing the Combo Sensor with a SimplySNAP Site Controller makes it easy to comply with DALI-2, ASHRAE, Title 24, DLC NLC Indoor/Outdoor, and other energy requirements today and in the future.

Product #	Description
CSEN1-H-W-ZHA	Sensor Controller, White, Zhaga
CSEN1-H-G-ZHA	Sensor Controller, Gray, Zhaga
CSEN1-MASK	Motion Mask
CSEN1-ZHA-ADPT-22	Wired Adapter for 22mm Knockout
CSEN1-ZHA-ADPT-33	Wired Adapter for 33mm Knockout

KEY FEATURES:

- Seamless SimplySnap Integration
- Simplified installation with Zhaga Book 18 receptacle support
- Integrated Passive Infra-Red (PIR) motion sensor
- Integrated Photocell
- Autodetects 0-10V dimming or D4i
- DLC Certification for both Indoor and Outdoor
- Powered via LED Driver Aux Power
- Self-healing 2.4GHz SNAP Mesh Networking

SPECIFICATIONS:

Dimensions	3.1" D x 1.6" H (80mm D x 42mm H)
Input Power	12-24 VDC +/- 10%, 35mA
Operating Environment	-40°C to +70°C 0% to 95% RH, non-condensing
Enclosure Rating	IP66
Dimming	Autodetects 0-10V (10mA Sink max) or D4i Dimming
Photocell	Dusk (10fc) Dawn (40fc)
Motion Sensor	PIR, up to 40 ft. height (12m)
Radio	SNAP 2.4GHz; 802.15.4 +20 dBm Transmit Power -105 dBm Receive Sensitivity
D4i LED Drivers	Limited to 4 D4i LED Drivers
Certifications	cULus, FCC/IC, CE, UKCA, DLC, D4i
Warranty*	5 Years

LIGHTING CONTROLLER + SENSOR

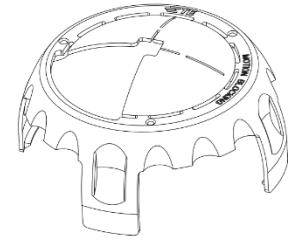


To learn more, visit:
synapsewireless.com

*See www.synapsewireless.com/warranty for warranty terms.

MASKING THE LENS

A motion blocking mask, with one open quadrant exposed is sold as an accessory. The mask easily snaps over the top of the Combo Sensor. Additional quadrants can be broken away by the installer.



LENS COVERAGE

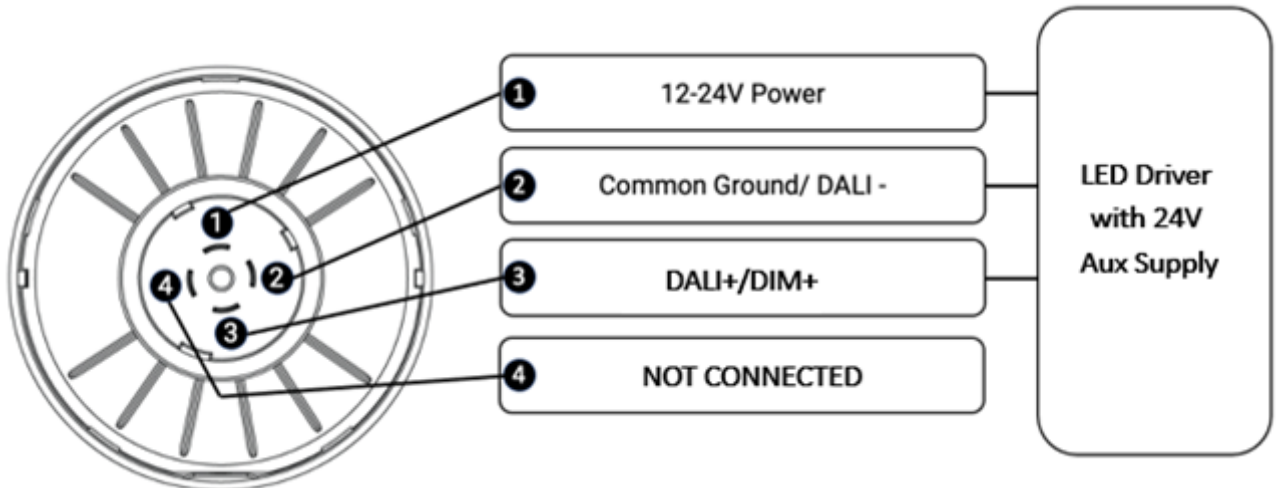
Mounting Height	Detection Zone
16ft (5m)	98ft x 79ft (30m x 24m)
26ft (8m)	105ft x 112ft (32m x 34m)
40ft (12m)	92ft x 92ft (28m x 28m)

STATUS LEDs

Power LED	Status
Off	Unit not Powered
Blue	Unit Powered
Status LED	Status
Red	No script on the device
Blinking Red	Communication Error + No Motion
Alternating Red/Magenta	Communication Error + Motion Detected
Blinking Green	Communication, No Config + No Motion
Alternating Blue/Cyan	Communication, No Config + Motion Detected
Green	Normal Operation + No Motion
Cyan	Normal Operation + Motion Detected

LIGHTING CONTROLLER + SENSOR

WIRING DIAGRAM



Patented – Virtual marking at <https://www.synapsewireless.com/about/patents>