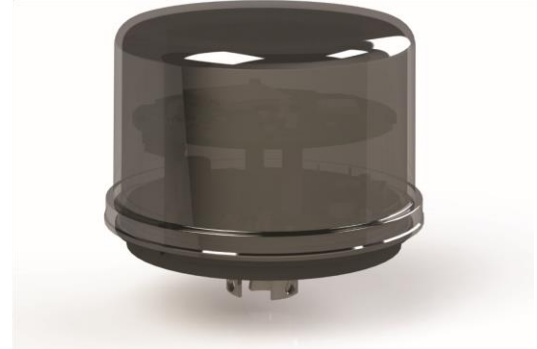


Specification	Data
Job Name	
Type	
Catalog #	
Comments	



## PRODUCT OVERVIEW

The **TL7-DALI-DC** is an intelligent D4i wireless lighting controller designed for Street and Area Lighting applications. Each TL7-DALI-DC provides intelligent ON/OFF switching, dimming, sensor input, photocell, highly accurate D4i power metering, GPS, Tilt (optional), D4i Asset Data and D4i status monitoring of lighting fixtures.

Includes Photocell, Power Monitoring, GPS, and Sensor Input

## KEY FEATURES:

- Integrated photocell enables dusk-to-dawn operation right out of the box
- Powered by D4i LED Driver
- Compatible with ANSI C136.41 7-pin Receptacle
- D4i Power Monitoring
- Self-Healing Mesh Network
- Secure, Over-the-Air Upgrades
- Secure AES128 Encryption
- One Sensor Input
- GPS
- Tilt **(Optional)**
- Status LEDs are Software-Dimmable
- Power-on Dimming Test Eases Installation
- Certified DALI-2 & D4i (Type D)
- D4i LED Driver OEM Identification via GTIN
- Supports up to 4 D4i LED Drivers
- DALI Part 218 Linear Dimming
- Fixture Failure Detection and Alerts
- D4i Part 253 Diagnostics – **Coming Soon**
- Asset Data - **Coming Soon**
- Surge Detection – **Coming Soon**
- LINE (Black) and LOAD (Red) are internally shorted together to pass power through to LED driver

Product #	Description
TL7-DALI-DC	Low Voltage Twist-lock

## SPECIFICATIONS:

Dimensions	3.3" D x 2" H (84 mm D x 51 mm H)
Input Voltage	24 VDC
Load Rating	110V-480V, 5A
Operating Environment	-40°C to +70°C; 0% to 90% RH non-condensing
Enclosure Rating	IP66
Photocell	Dusk (10fc) Dawn (40fc)
Radio	SNAP 2.4GHz ; 802.15.4 +20 dBm Transmit Power -103 dBm Receive Sensitivity
Sensor Input	0-24V Motion Sensor
Power Monitoring	2% accuracy D4i LED Driver Specifications
Power Readings	Voltage, Watts
Certifications	FCC, IC, cULus, DLC, RoHS, D4i
RF Range	500 Feet/152 Meters
Warranty <sup>1</sup>	5 Years

### Footnotes:

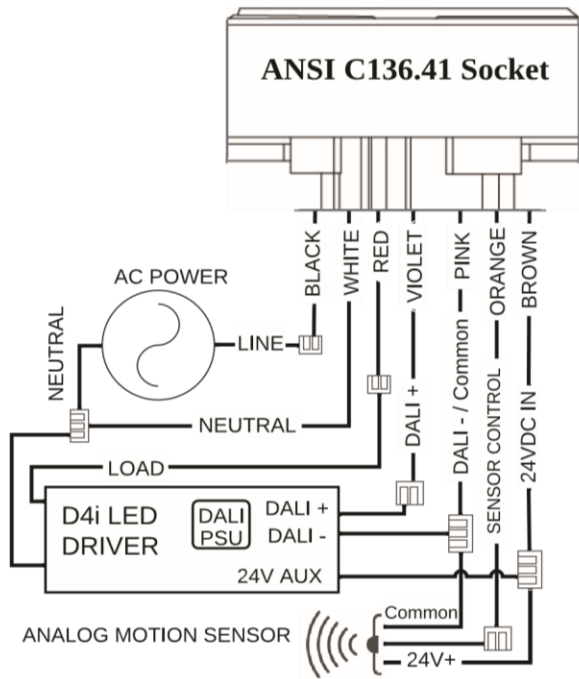
1. See [www.synapsewireless.com/warranty](http://www.synapsewireless.com/warranty) for warranty terms

To learn more visit:  
[synapsewireless.com](http://synapsewireless.com)

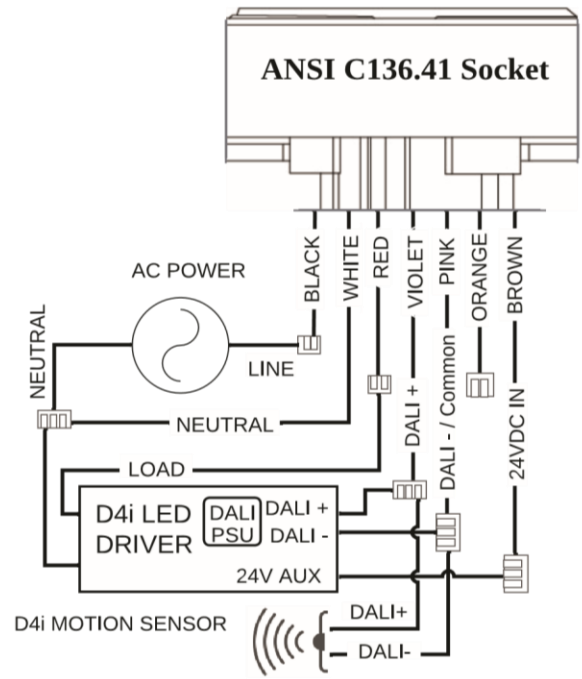


# TL7-DALI-DC WIRING DIAGRAMS

## ANALOG MOTION SENSOR



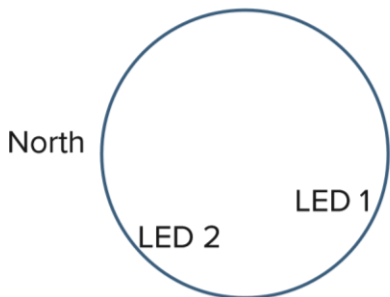
## D4i MOTION SENSOR



LIGHTING CONTROLLER

FUNCTION	WIRE
L	BLACK
N	WHITE
LOAD	RED
DALI +	VIOLET
DALI - / COMMON	PINK
CONTROL	ORANGE
+24VDC AUX	BROWN

## STATUS LEDs



LED	Color	Status
LED 1	Blue	Network Found, No Configuration
LED 1	Green	Normal Operation
LED 1	Red	Communication Error
LED 2	Blue	Power On