

DIM10-087-06-FW Controller

Load Ratings: 12 to 24VDC, +/-10%, 900mW max
 Operating Humidity: 10 to 90%, non-condensing

WARNING AND CAUTIONS:

- **TO AVOID FIRE, SHOCK, OR DEATH: TURN OFF POWER AT CIRCUIT BREAKER OR FUSE AND TEST THAT POWER IS OFF BEFORE INSTALLING!**
- **PROPER GROUNDING REQUIRED TO AVOID STATIC DISCHARGE WHICH CAN DAMAGE CONTROLLERS DURING INSTALLATION.**

WARNING AND CAUTIONS:

- If you are unsure about any part of these instructions, consult an electrician; all work should be performed by qualified personnel.
- DIM10-087-06-FW controllers must be installed in accordance with national, state, and local electrical codes and requirements.

SPECIFICATIONS

- Dim Control Max Load: 10 mA Source/Sink
- Radio Frequency: 2.4 GHz (IEEE 802.15.4)
- RF Transmission Output Power: +20 dBm
- Operating Temperature: -40°C to +80°C
- Operating Humidity: 10 to 90%, non-condensing
- Max D4i Drivers: Limited to 4 D4i LED drivers
- Wire Size: 20 AWG, 8" Wires, UL1015, 600V
- Dimensions: 2.25" L x 2.0" W x .3" H
 (57 x 50.8 x 7.6 mm)

DESIGN CONSIDERATIONS

Below are some recommendations for successful dimming using the DIM10-087-06-FW. The dimming control wires are referenced as DIM+ and DALI-/COM. The dimming signals have a Maximum voltage of 10V DC.

- Do not ground the DALI-/COM wire to chassis ground; this is a return signal and is critical for proper dimming.
- Route dimming wires away from AC lines if possible.
- Maximum of 4 DALI-2/D4i LED Drivers per controller, consult Synapse Support if a greater ratio is needed.
- Maximum Of 8 DIM to OFF LED Drivers for DIM to OFF Designs.
- Do not mount to a heatsink or to an LED driver.
- When installing the DIM10-087-06-FW into an enclosure, consideration of the internal antenna position and any interference is required to provide the best wireless signal strength. Prior to permanently mounting it, make sure the device is free of any metal objects within 2 inches.

NOTE: LED Driver must support DIM to OFF functionality.

WARNING: The maximum number of D4i LED Drivers with active DALI power supply on the bus is 4. Up to 6 D4i LED drivers may be on the bus, but only 4 may have active power supplies. SimplySnap will not support more than 6 D4i LED drivers on the Synapse lighting controller. The DALI bus is limited to 250mA. Having more than 4 DALI power supplies on the bus may void the D4i LED driver warranty.

NEEDED MATERIAL

- **Mounting Hardware:** (1) #4 or M3 screw and standoff recommended

INSTALLATION INSTRUCTIONS

MOUNTING

1. Place the controller in desired location and secure it using #4 sized screw and standoff using the mounting hole located in the center of the board.

Note: For the best RF signal propagation, mount the controller so that the bottom is facing the ground.

WIRING THE DIM10-087-06-FW CONTROLLER

Note: Unless specified, the connections to a standard Dim to Off LED driver and the DALI 2 LED driver are the same.

2. Connect the POWER (BROWN) wire of the DIM10-087-06-FW to the 12-24V DC Aux output from the LED driver.
3. Connect the DALI-/COMMON (PINK/WHITE STRIPE) to the COMMON wire on the LED driver you have.

CONNECTING SENSORS

Note: Steps 4-6 are for adding sensors to the DIM10-087-06-FW controller; if you are not connecting sensors skip this section.

There are two sensor inputs on the DIM10-087-06-FW designed for low powered (24V DC) type sensors.

- The SENSOR A (YELLOW) wire is used to connect sensor A.
- The SENSOR B (ORANGE) wire is used to connect sensor B.

4. Connect the SENSOR A (YELLOW) wire or the SENSOR B (ORANGE) wire of the DIM10-087-06-FW controller to the sensor CTRL/Control wire.

5. If you are using more than one sensor, then duplicate the installation as described above.

6. Sensors must be configured in software before they are functional in a SimplySnap system.

(See Figures 1 and 2)

CONNECTING THE DIMMING CIRCUIT

Note: Steps 7-8 are for connecting to a Standard Dim to Off LED driver; if you are using a DALI 2 LED driver skip to steps 9-10.

7. Connect the DIM+ (VIOLET) wire from the DIM10-087-06-FW to the DIM+ wire on the LED driver.

8. Cap the unused DALI+ (VIOLET/WHITE STRIPE) wire.

(See Figure 1)

Note: Steps 9-10 are for connecting to a DALI 2 LED driver.

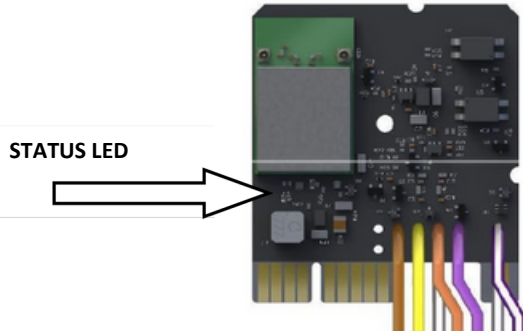
9. Connect the (DALI+ = VIOLET/WHITE STRIPE) wire from the DIM10-087-06-FW to the LED driver DALI+.

10. Cap the unused (DIM+ = VIOLET) wire.

(See Figure 2)

POWERING UP THE FIXTURE AND CONTROLLER

After connecting the Controller to the LED Driver and any sensors, make sure to cap any unused wires. Switch power on to the fixture. The light should turn on.



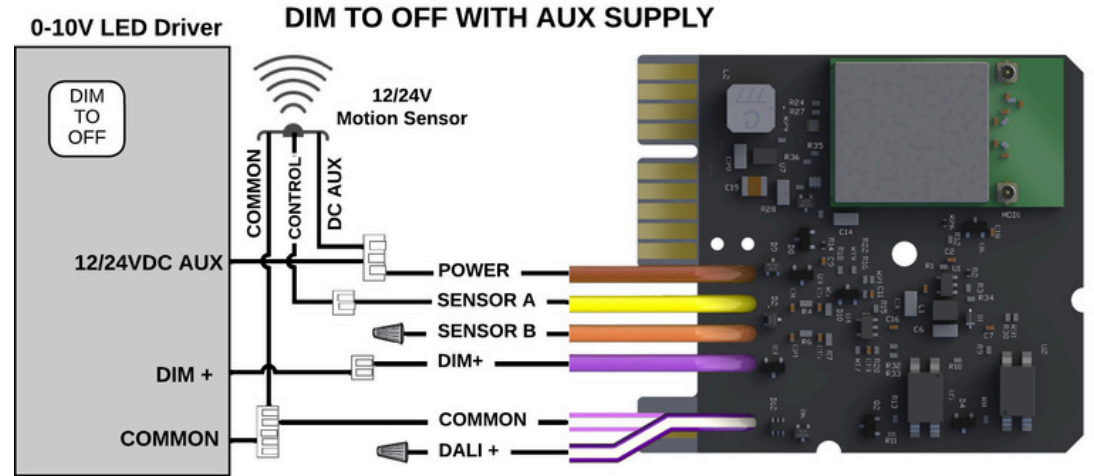
STATUS LED

Note: When the controller is powered, the following colors indicate the status.

- **Red** = No Network Found (Communication Lost)
- **Blinking Green** = Network Found, Controller Not Configured (Device not yet added to SimplySnap)
- **Green** = Network Found, Controller Configured
- (Normal Operation)

For more information on SimplySnap and the DIM10-087-06-FW, refer to the website at <http://help.synapsewireless.com/>

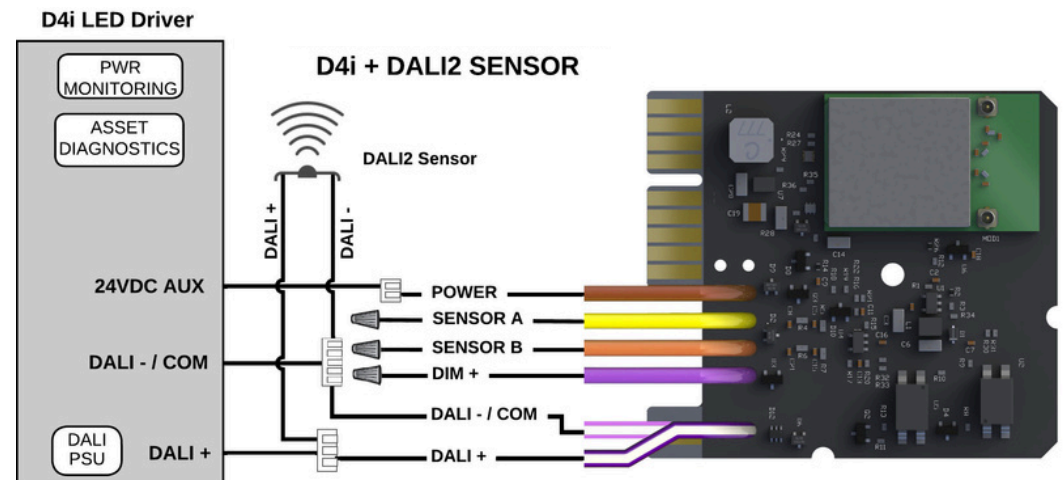
Figure 1 - DIM to OFF Wiring Diagram



WARNING:

- If a single Synapse controller is used to drive the DIM+ input of multiple LED drivers, then all of the DIM- lines from all drivers MUST be directly tied/shorted together to provide a common return/ground to the controller.
- Synapse will not warranty or be liable for designs with any other electronic means of coupling DIM- lines from multiple drivers.

Figure 2 – D4i Wiring Diagram



REGULATORY INFORMATION AND CERTIFICATIONS

RF Exposure Statement: This equipment complies with FCC radiation exposure limits set forth for an uncontrolled environment. This equipment should be installed and operated with minimum distance of 20cm between the radiator and your body. This transmitter must not be co-located or operating in conjunction with any other antenna or transmitter.

Industry Canada (IC) certifications: This digital apparatus does not exceed the Class B limits for radio noise emissions from digital apparatus set out in the Radio Interference Regulations of the Canadian Department of Communications.

Le présent appareil numérique n'émet pas de bruits radioélectriques dépassant les limites applicables aux appareils numériques de la class B prescrites dans le Règlement sur le brouillage radioélectrique édicté par le ministère des Communications du Canada.

FCC certifications and regulatory information (USA only)

FCC Part 15 Class B: This device complies with part 15 of the FCC rules. Operation is subject to the following two conditions: (1) These devices may not cause harmful interference, and (2) These devices must accept any interference received, including interference that may cause harmful operation.

RADIO FREQUENCY INTERFERENCE (RFI) (FCC

15.105): This equipment has been tested and found to comply with the limits for a Class B digital device, pursuant to Part 15 of the FCC rules. These limits are designed to provide reasonable protection against harmful interference in a residential installation. This equipment generates, uses, and can radiate radio frequency energy and, if not installed and used in accordance with the instructions, may cause harmful interference to radio communications. However, there is no guarantee that interference will not occur in a particular installation. If this equipment does cause harmful interference to radio or television reception, which can be determined by turning the equipment off and on, the user is encouraged to try to correct the interference by one or more of the following measures:

(1) Re-orient or relocate the receiving antenna; (2) Increase the separation between the equipment and the receiver; (3) Connect the equipment into an outlet on a circuit different from that to which the receiver is connected; (4) Consult the dealer or an experienced radio/TV technician for help.

Declaration of Conformity (FCC 96-208 & 95-19): Synapse Wireless, Inc. declares that the product name "DIM10-087-06-FW" to which this declaration relates, meet the requirements specified by the Federal Communications Commission as detailed in the following specifications:

- Part 15, Subpart B, for Class B equipment
- FCC 96-208 as it applies to Class B personal computers and peripherals
- This product has been tested at an External Test Laboratory certified per FCC rules and has been found to meet the FCC, Part 15, Emission Limits. Documentation is on file and available from Synapse Wireless, Inc.

If the FCC ID for the module inside this product enclosure is not visible when installed inside another device, then the outside of the device into which this product is installed must also display a label referring to the enclosed module FCC ID. Modifications (FCC 15.21): Changes or modifications to this equipment not expressly approved by Synapse Wireless, Inc., may void the user's authority to operate this equipment.

CERTIFICATIONS

Model : DIM10-087-06-FW
Contains FCC ID : U90-SM220
Contains IC : 7084A-SM220
UL File No : E346690

DALI-2 Certified Application Controller

CE

UKCA

Contact Synapse for Support- (877) 982-7888

Patented – virtual marking at

<https://www.synapsewireless.com/about/patents>