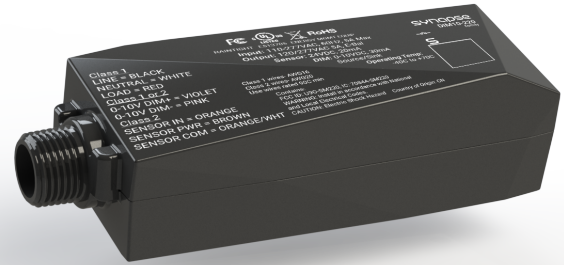


Specification Data	
Job Name	
Type	
Catalog #	
Comments	



PRODUCT OVERVIEW

The DIM10-220 provides real-time control with power monitoring to help meet California Title 24 and other energy regulations. It also includes a 24VDC sensor input and power supply to connect a sensor into the SimplySnap wireless lighting solution. It is designed for retrofit applications or for use with new fixtures that do not have room for integrated controls.

KEY FEATURES:

- Available with internal and external antenna options (Antenna not included)
- Supports variety of fixture designs and mounting options
- IP65 rated for indoor and outdoor applications
- Power Monitoring
- Class 1/2 0-10V Dimming Control
- True On/Off functionality via switched relay
- Self-healing SNAP Mesh Networking
- Supports a wide range of LED drivers
- Supports 24VDC sensors (consult sales for list)
- Secure, over-the-air upgrades to support future enhancements
- DLC Certification for both Indoor and Outdoor



To learn more, call or visit:
synapsewireless.com
 (877) 982-7888

Bolt-on controller for indoor and outdoor applications

Order #	Description
DIM10-220	Bolt-on controller with external antenna connector
DIM10-220-F	Bolt-on controller with internal antenna

Dimensions	6.1" L x 2.1" W x 1.6" H (153.7 x 53.9 x 41.8mm)
Mounting	Conduit Knock-Out, Hanging Kit, or in Fixture
Input Power¹	110-277VAC, 50/60Hz
Load Rating¹	5A @ 120/277VAC (+/- 10%)
Surge Rating	6KV
Operating Environment	-40°C to +70°C
IP Rating	IP65
Wiring	15" wires attached (+/- 1")
Dimming Output	0-10V, Class 1/2, 30mA
Radio	SNAP 2.4GHz ; 802.15.4 +20 dBm Transmit Power -103 dBm Receive Sensitivity
Sensor Input	0 - 24VDC
Sensor Power Supply	24VDC @ 20mA
Power Monitoring²	2% accuracy
Power Readings	Voltage and Watts
Certifications	c(UL)us, FCC/ IC , RoHS
Warranty³	5 Years

Footnotes:

1. Phase to Phase power is supported, however the controller only switches one phase.
2. 2% accuracy down to 100 Watts
3. See www.synapsewireless.com/warranty for warranty terms

DIM10-220 DIMENSIONS AND WIRING INFORMATION

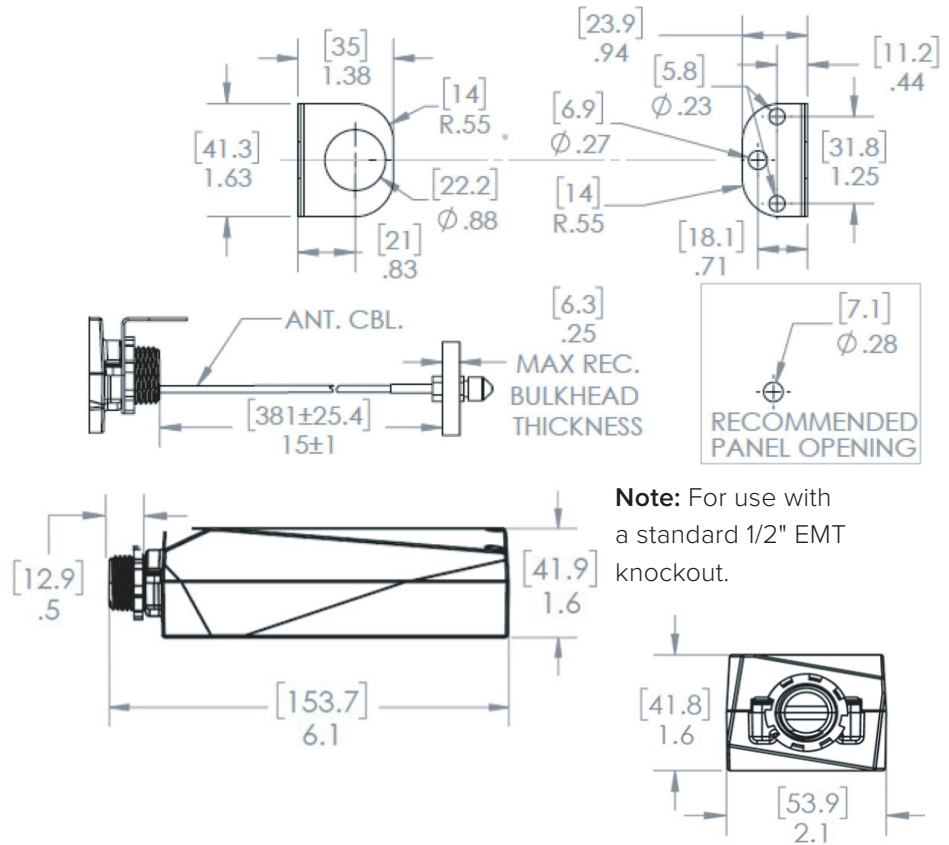
Class 1	
Line	Black
Neutral	White
Load	Red

Class 1 or 2	
0-10V Dim+	Violet
0-10V Dim-	Pink

Class 2	
Sensor In	Orange
Sensor Power	Brown
Sensor Com	Orange/White Stripe

Note: Phase to Phase power is supported, however the controller only switches one phase.

Note: Bracket only included with DIM10-220 model with external antenna connector



Note: For use with a standard 1/2" EMT knockout.

Status LEDs

LED	Color	Meaning
RELAY	ORANGE	Relay is closed
RELAY	OFF	Relay is open
NETWORK	RED	No Network Found (Communication Lost)
NETWORK	BLUE	Network Found, Controller Not Configured (Device not yet added to SimplySnap)
NETWORK	GREEN	Network Found, Controller Configured (Normal Operation)

ACCESSORIES (For use with DIM10-220 with external antenna connector)

Antenna Part #	Description
ANT-ORB-1.5-1	Outdoor Fixed Right Angle Antenna, 1.5 dBi gain
ANT-OSB-1.5-1	Outdoor Straight Antenna, 1.5 dBi gain
ANT-ORS-5.1	Stubby Antenna, Outdoor Right Angle
ANT-OSS-5.1	Stubby Antenna, Outdoor Straight

Hanging Kit Part #	Description
KIT-HP02-01	Hanging Kit, Aircraft cable, Coax cable, 1.5'
KIT-HP20-01	Hanging Kit, Aircraft cable, Coax cable, 20'
KIT-HP30-02	Hanging Kit, Aircraft cable, Coax cable, 30'
KIT-HP50-03	Hanging Kit, Aircraft cable, Coax cable, 50'

Patented – Virtual marking at <https://www.synapsewireless.com/about/patents>