

Hanging Pole Kit Installation Guide

WARNINGS AND CAUTIONS: TO AVOID FIRE, SHOCK, OR DEATH; TURN OFF POWER AT CIRCUIT BREAKER OR FUSE AND TEST THAT POWER IS OFF BEFORE WIRING! Risk of Electric Shock - More than one disconnect switch may be required to de-energize the equipment before servicing. To be installed and/or used in accordance with appropriate electrical codes and regulations. If you are unsure about any part of these instructions, consult an electrician. Use this device with copper or copper clad wire only.

INSTALLATION GUIDE

A light controller can be hung in the pole from the top or from the Hand Hole in the pole. The pole shown in Figure 1 has a Hand Hole close to the bottom of the pole. See Figure 2 for the location of the hand hole. Figure 3 shows the hanging loop created with a Gripple Express connector. The loop slides over the hook shown in Figure 3. The hook will hang in the pole and will dangle in front of the hand hole. Note the .25" hole position for the antenna in Figure 3.

1. Thread the short RF cable (21") bulkhead through the .25" hole for the antenna. Ensure the threads are facing out of the pole. Slide on the lock washer and thread on the nut. Hand tighten, then add one turn. Make sure the flange is seated and does not spin.
2. Attach the 50 Ohm terminator as shown in Figure 6 on page 2. This component will protect the RF circuitry from static damage.
3. Attach the long RF cable to the RF short cable and drop the long cable to the bottom of the pole to the hand hole.
4. Create a loop with the Gripple Express connector. See Figure 5 on page 2.
5. Slip the loop created with the Gripple Express connector on the hook at the top of the pole. See Figure 3. Drop the aircraft cable down the pole to the hand hole. Adjust the length of the aircraft cable with the push buttons on the Gripple Express connector to align the Gripple Hook with the hand hole.
6. Pull the RF cable and the aircraft cable through the hand hole.
7. Use the Gripple Hook to clip on to the round hole on the flange of the Lighting Controller.
8. Remove the dust cap from the Lighting Controller bulkhead, then attach the free end of the long RF cable to the bulkhead on the lighting controller. Hand tighten the connection. Be careful to not touch the pin in the bulkhead.
9. Connect the AC wiring as detailed in the lighting controller cutsheet and wiring diagrams. Connect any DC wiring as required for any sensors as detailed in the cutsheet and the wiring diagrams.
10. Tuck the lighting controller and the wiring inside the hand hole.
11. After replacing the pole cap, remove the 50 Ohm terminator from the bulkhead at the top of the pole and thread the antenna on the bulkhead. See Figure 7 on page 2. Hand tighten the antenna. Then add ¼ turn to snug up the antenna. Do not overtighten. The RF pin inside the bulkhead will break and lose RF connectivity.

Note: Antenna is sold separately. See Page 2 for antenna ordering part numbers.

KIT CONTENTS

- 1 - Gripple Aircraft Cable Hook with Gripple Express Connector
- 1 - 50 Ohm Terminator
- 1 - Short(21") RF Extension Cable, 14mm, with built in O-Ring on the bulkhead
- 1 - Long RF Extension Cable

Note: KIT-HP02-01 does not have a long RF Extension Cable

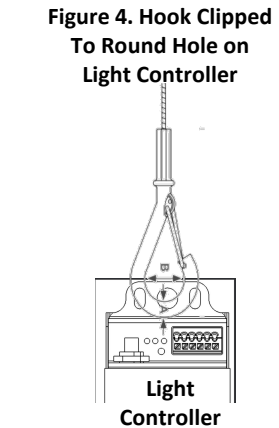
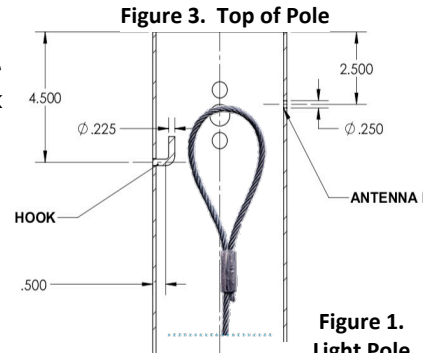
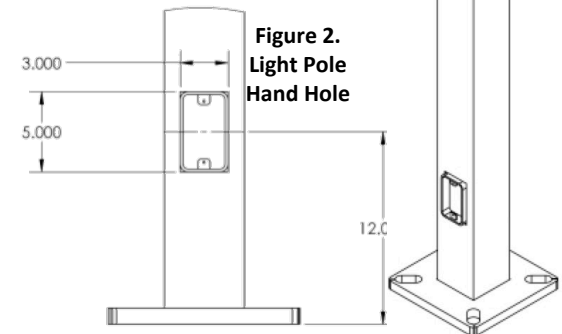


Figure 1. Light Pole



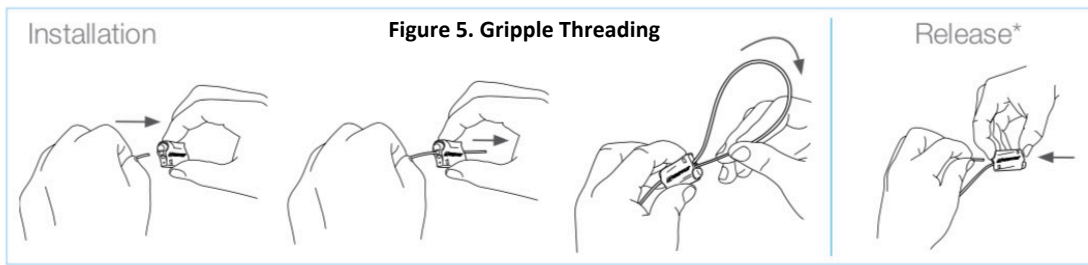


Figure 6. 50 Ohm Terminator

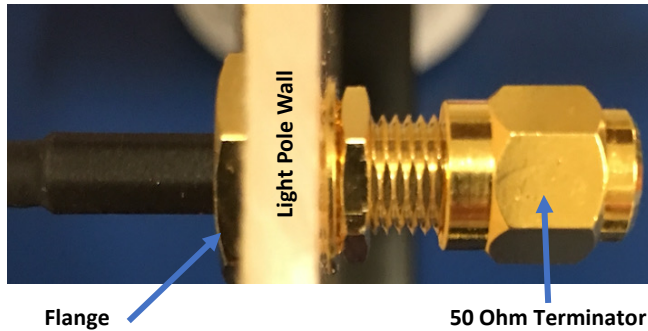
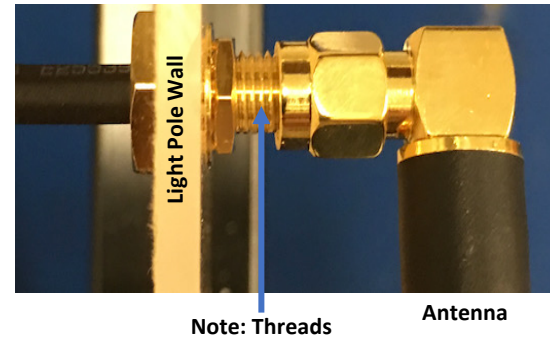


Figure 7. Antenna on Bulkhead



WARNING - If no threads are showing as shown in Figure 7, the center pin is not seated properly and RF connectivity will be compromised. Instead, a longer bulkhead will be needed to pass through the wall of the light pole and provide proper RF connectivity. Contact Sales for Options for a longer bulkhead.

Antenna not included – RP-SMA Male, Outdoor Rated Antennas

Part #	Description	Length	dBi	Type
ANT-OSB-1.5-1	Outdoor, 2.4GHz, Straight, Black, IP65	5"	1.5	Dipole
ANT-ORB-1.5-1	Outdoor, 2.4GHz, Fixed Right Angle, Black, IP65	5"	1.5	Dipole
ANT-ORS-5.1	Stubby Antenna, Outdoor Right Angle	1"	-5	Monopole
ANT-OSS-5.1	Stubby Antenna, Outdoor Straight Angle	1"	-5	Monopole