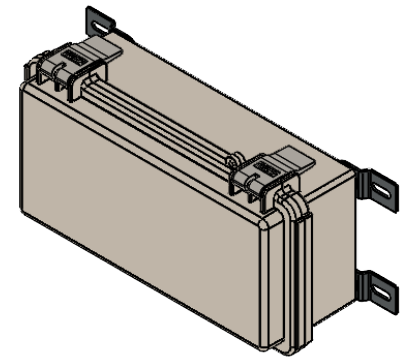
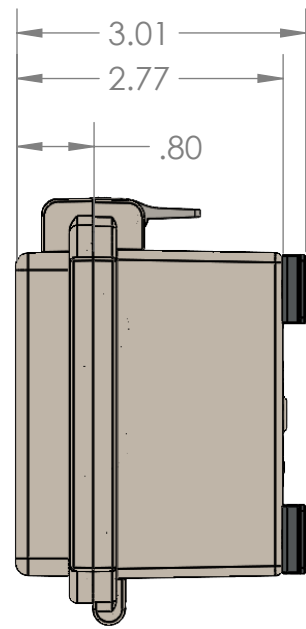
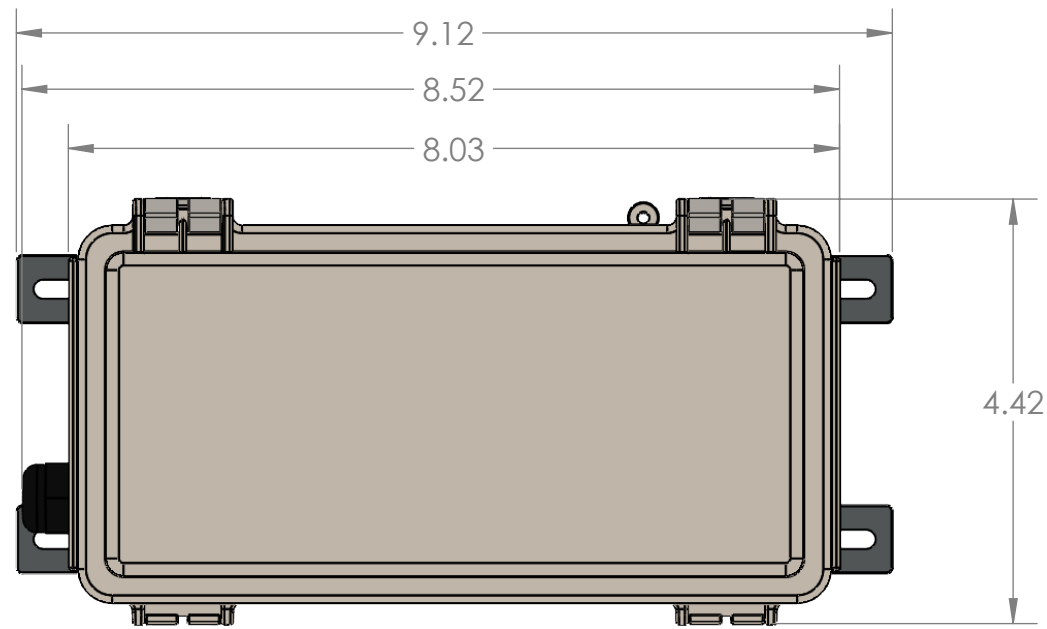


2

1

B



B

NOTES:

1. FOR REFERENCE ONLY. THE USER OF THIS DOCUMENT ASSUMES ALL RESPONSIBILITY FOR VERIFYING THE INFORMATION PROVIDED HEREIN.

A

PROPRIETARY AND CONFIDENTIAL
THE INFORMATION CONTAINED IN THIS DRAWING IS THE SOLE PROPERTY OF <INSERT COMPANY NAME HERE>. ANY REPRODUCTION IN PART OR AS A WHOLE WITHOUT THE WRITTEN PERMISSION OF <INSERT COMPANY NAME HERE> IS PROHIBITED.

		UNLESS OTHERWISE SPECIFIED:		NAME	DATE
		DIMENSIONS ARE IN INCHES TOLERANCES: FRACTIONAL ± ANGULAR: MACH ± BEND ± TWO PLACE DECIMAL ± THREE PLACE DECIMAL ±	DRAWN		
		INTERPRET GEOMETRIC TOLERANCING PER:	CHECKED		
		MATERIAL	ENG APPR.		
		FINISH	MFG APPR.		
NEXT ASSY	USED ON		Q.A.		
APPLICATION		DO NOT SCALE DRAWING	COMMENTS:		

TITLE: MECHANICAL DATASHEET SENSE 4-20		
SIZE	DWG. NO.	REV
A	1000588	
SCALE: 1:4	WEIGHT:	SHEET 1 OF 1

A

2

1