

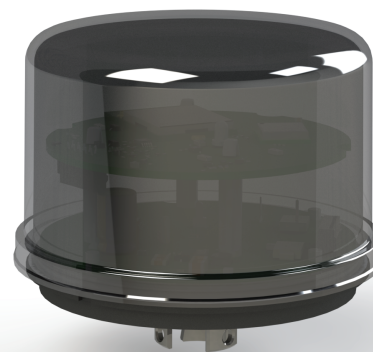
Specification Data	
Job Name	
Type	
Catalog #	
Comments	

PRODUCT OVERVIEW

The TL7-DALI-DC is an intelligent D4i wireless lighting controller designed for Street and Area Lighting applications. Each TL7-DALI-DC provides intelligent ON/OFF switching, dimming, sensor input, photocell, highly accurate D4i power metering, GPS, Tilt (optional), D4i Asset Data and D4i status monitoring of lighting fixtures.

KEY FEATURES:

- Integrated North-facing Photocell for Dusk to Dawn Control
- Powered by D4i LED Driver
- Compatible with ANSI C136.41 7-pin Receptacle
- D4i Power Monitoring
- Self-Healing Mesh Network
- Secure, Over-the-Air Upgrades
- Secure AES128 Encryption
- One Sensor Input
- GPS
- Tilt (**Optional**)
- Status LEDs are Software-Dimmable
- Power-on Dimming Test Eases Installation
- Certified DALI-2 & D4i (Type D)
- D4i LED Driver OEM Identification via GTIN
- Supports up to 4 D4i LED Drivers
- DALI Part 218 Linear Dimming
- Fixture Failure Detection and Alerts
- D4i Part 253 Diagnostics – **Coming Soon**
- Asset Data - **Coming Soon**
- Surge Detection – **Coming Soon**
- LINE (Black) and LOAD (Red) are internally shorted together to pass power through to LED driver



Includes Photocell, Power Monitoring, GPS, and Sensor Input

Product #	Description
TL7-DALI-DC	Low Voltage Twist-Lock

SPECIFICATIONS

Dimensions	3.3" D x 2" H (84 mm D x 51 mm H)
Input Voltage	24 VDC
Load Rating	110V-480V, 5A
Operating Environment	-40°C to +70°C; 0 to 90% RH non-condensing
Enclosure Rating	IP66
Photocell	Dusk (10fc) Dawn (40fc)
Radio	SNAP 2.4GHz; 802.15.4 +20dBm Transmit power -103dBm Receive Sensitivity
Sensor Input	0-24V Motion Sensor
Power Monitoring	2% accuracy D4i LED Driver Specifications
Power Readings	Voltage, Watts
Certifications	FCC, IC, cULus, DLC, RoHS, D4i
RF Range	500 Feet/ 152 Meters
Warranty¹	5 Years

Footnotes:

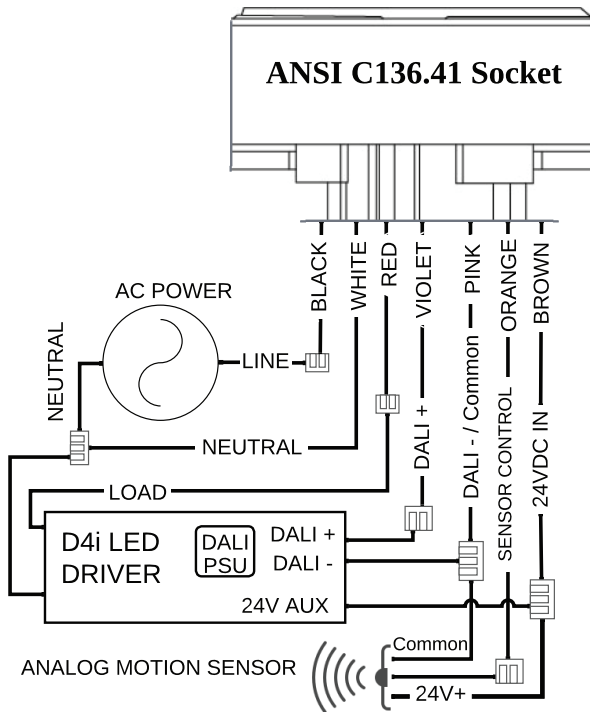
1. See www.synapsewireless.com/warranty for warranty term



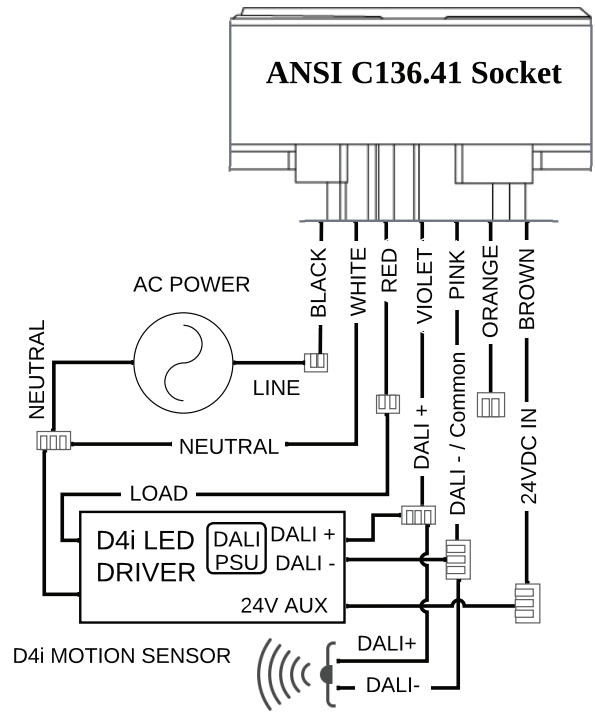
To learn more, call or visit:
synapsewireless.com
 (877) 982-7888

TL7-DALI-DC WIRING DIAGRAMS

ANALOG MOTION SENSOR



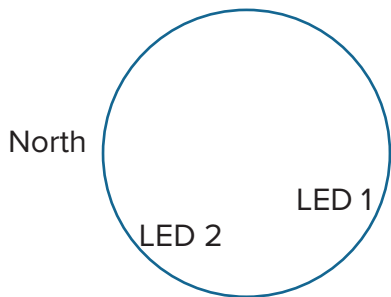
D4I MOTION SENSOR



LIGHTING CONTROLLER

FUNCTION	WIRE
L	BLACK
N	WHITE
LOAD	RED
DALI +	VIOLET
DALI - / COMMON	PINK
CONTROL	ORANGE
+24VDC AUX	BROWN

STATUS LEDs



LED	Color	Status
LED 1	Blue	Network Found, No Configuration
LED 1	Green	Normal Operation
LED 1	Red	Communication Error
LED 2	Blue	Power On