

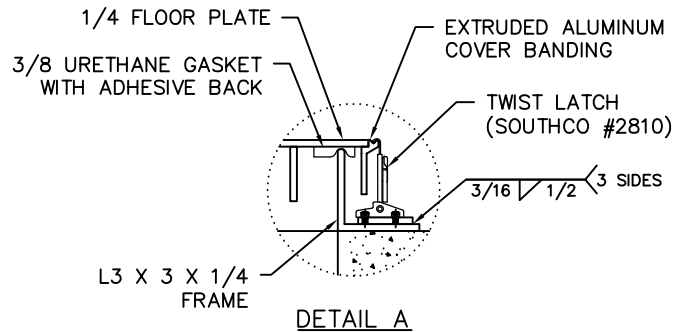
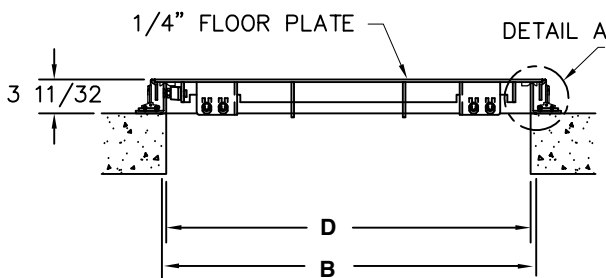
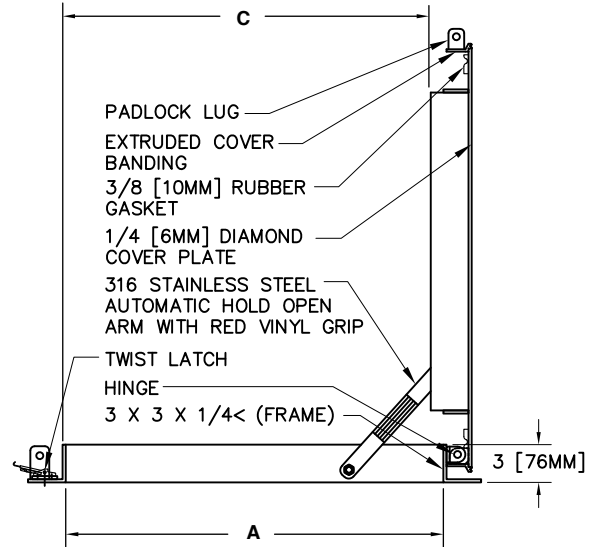
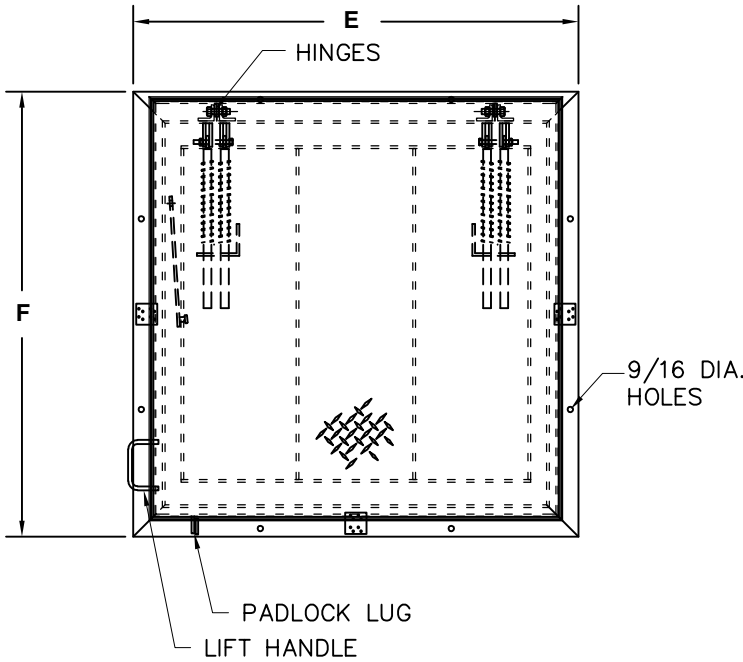


www.acudor.com  
 U.S.A.: info@acudor.com / 800.722.0501  
 CANADA: info@acudor.ca / 844.228.3671  
 INTERNATIONAL: info@acudorintl.com  
 (905) 428.2240

# A-FPS

## ANGLE FRAME FLOOR DOOR RAISED FRAME - FLOOD RESISTANT

NOMINAL DOOR SIZE	FRAME OPENING		CLEAR OPENING		OVERALL SIZE		WEIGHT
	A in. (mm)	B in. (mm)	C in. (mm)	D in. (mm)	E in. (mm)	F in. (mm)	LBS. (KG)
24 x 24 (610 x 610)	24 (610)	24 (610)	24 (610)	23 (584)	30 (762)	30 (762)	65 (29)
30 x 30 (762 x 762)	30 (762)	30 (762)	30 (762)	29 (737)	36 (914)	36 (914)	85 (39)
30 x 48 (762 x 1219)	30 (762)	48 (1219)	48 (1219)	47 (1194)	36 (914)	54 (1372)	110 (50)
36 x 36 (914 x 914)	36 (914)	36 (914)	36 (914)	35 (889)	42 (1067)	42 (1067)	105 (48)
36 x 48 (914 x 1219)	36 (914)	48 (1219)	48 (1219)	47 (1194)	42 (1067)	54 (1372)	120 (54)



**NOTES:**

- 1- MATERIAL: ALUMINUM
- 2- LOADING: 625 LBS. PER SQ. FT.\*
- 3- 316 STAINLESS STEEL BOLTS & NUTS
- 4- AREA OF FRAME IN CONTACT WITH CONCRETE TO BE PAINTED WITH BITUMINOUS COATING

\*1/4" ALUMINUM DIAMOND PLATE REINFORCED FOR LIVE LOAD OF 625 POUNDS PER SQ.FT. CAPABLE OF HOLDING UP TO 10 FT. HEAD OF WATER (DOWNWARD PRESSURE ONLY).

JOB NAME:  
 CUSTOMER:

APPROVED BY:  
 DATE: