

UF-5000

UNIVERSAL FLUSH

Application

- Installation in Drywall, Plaster, Masonry, Tile or any flush surface

Product Features

- Door panel has rounded safety corners providing an architecturally pleasing appearance
- One piece trim flange will not rack, sag or distortion
- Unique continuous concealed hinge will not bind

UF-5000 Access Door Specifications:

Material: Up to 16" X 16" - 16 gauge, 18 gauge mounting frame,
over 16" X 16" - 14 gauge door, 16 gauge mounting frame

Door: Flush to frame with rounded safety corners

Mounting Frame: One piece outer flange welded to mounting frame

Hinge: Continuous, concealed

Latch: Stainless Steel Slotted Screwdriver Cam Latch

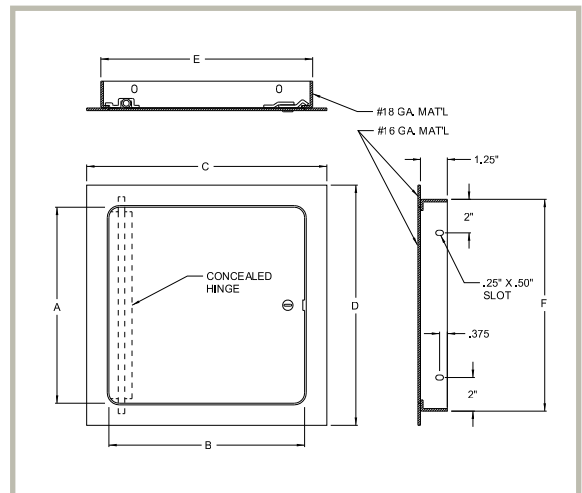
Optional Latches/Locks: Cylinder lock and key, allen head cam latch,
spanner head cam latch, torx head with security pin

Finish: Steel: 5-stage iron phosphate preparation with prime coat of
White alkyd baking enamel **OR** Stainless Steel: Type 304 - #4 satin polish

UF-5000 STANDARD SIZES

(other sizes available upon request)

Nominal Door Size W&H		Latches	Weight per Door	
Inches	mm		lbs.	kg.
6 X 6	152 X 152	1	1.95	0.9
8 X 8	203 X 203	1	2.5	1.1
8 X 12	203 X 305	1	3.4	1.5
10 X 10	254 X 254	1	3.4	1.5
12 X 12	305 X 305	1	4.6	2.1
12 X 16	305 X 406	2	5.7	2.6
12 X 18	305 X 457	2	7.4	3.4
12 X 24	305 X 610	2	10.4	4.7
14 X 14	356 X 356	1	5.8	2.6
16 X 16	406 X 406	2	7.4	3.4
16 X 24	406 X 610	2	12.4	5.6
18 X 18	457 X 457	2	10.8	4.9
18 X 24	457 X 610	2	12.2	5.5
22 X 22	560 X 560	4	15.3	6.9
22 X 30	560 X 762	5	22.3	10.1
22 X 36	560 X 914	5	27.9	12.7
24 X 24	610 X 610	4	17.7	8.0
24 X 30	610 X 762	5	23.5	10.7
24 X 36	610 X 914	5	27.9	12.7
24 X 48	610 X 1220	5	38.0	17.2



UF-5000 STANDARD SIZES

(other sizes available upon request)

Nominal Door Size W&H		Latches	Weight per Door	
Inches	mm		lbs.	kg.
30 X 30	762 X 762	5	28.3	12.8
36 X 36	914 X 914	5	38.2	17.3
36 X 48	914 X 1220	5	42.0	19.1
48 X 48	1220 X 1220	5	48.0	21.8

Wall or ceiling opening is nominal door size + 3/8" (9 mm)
For detailed specifications see submittal sheet