

RHSR SAFETY RAILS

SAFETY ACCESSORIES Roof Hatch Rail System

Safety First

Caution is the key when working in high elevations and that is where most roof and ceiling access is found. Acudor Safety Rails are designed for all Roof Hatch applications to assist in making every work space as safe as possible.

Features

- Railing system surrounds all sides of the opening
- (Self Closing Gate) Spring tension gate keeps the opening closed after pass through
- Easy to install
- Assembled on site, no special tools necessary
- Safe, easy and economic access
- Standard Finish is Safety Yellow Painted, also available in Galvanized finish

Components

Material: Steel ASTM A36

Rails: Steel ASTM A36

Joiners: Steel ASTM A36

Rail Width: Various lengths to fit the multiple sizes of openings

Weight: Standard rail lengths range from 8lbs. to 11lbs.

Compliance

- Designs complying OSHA standards
- Other specifications available

RAIL SYSTEM STANDARD SIZES

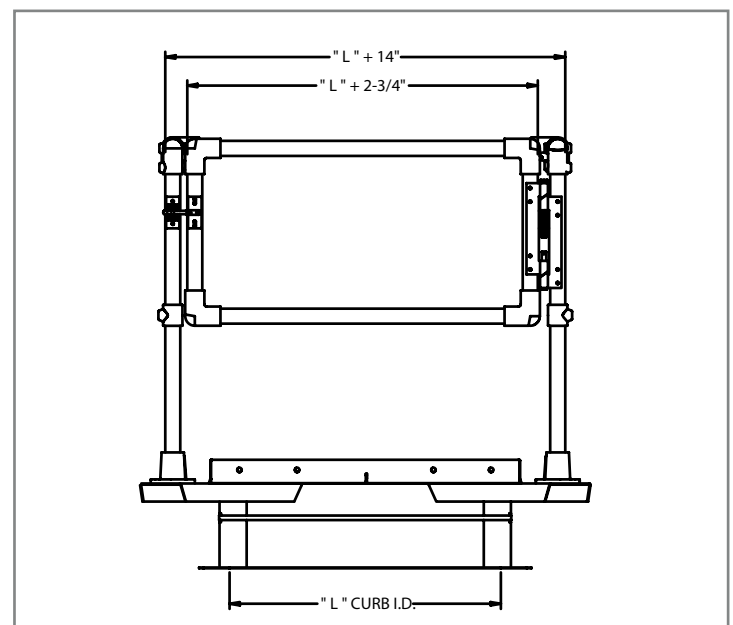
(other sizes available upon request)

Nominal Opening W&H		Weight per System Kit	
inches	mm	lbs.	kg.
24 x 24	610 x 610	130	59.0
24 x 36	610 x 914	135	61.2
30 x 30	762 x 762	135	61.2
30 x 36	762 x 914	135	61.2
30 x 54	762 x 1372	140	63.5
30 x 96	732 x 2438	150	68.0
36 x 36	914 x 914	140	63.5
48 x 48	1220 x 1220	145	65.8

For detailed specifications see submittal sheet



ROOF HATCH & SAFETY RAILS FRONT VIEW
(ROOF HATCH COVER REMOVED FOR A BETTER VIEW OF THE RAIL SYSTEM)



NOTE: Railing product image shown with 36" x 36" Aluminum Roof Hatch. Roof Hatch products are sold separately. For more information on Roof Hatches and Smoke Vents, contact Acudor at "www.acudor.com" - info@acudor.com