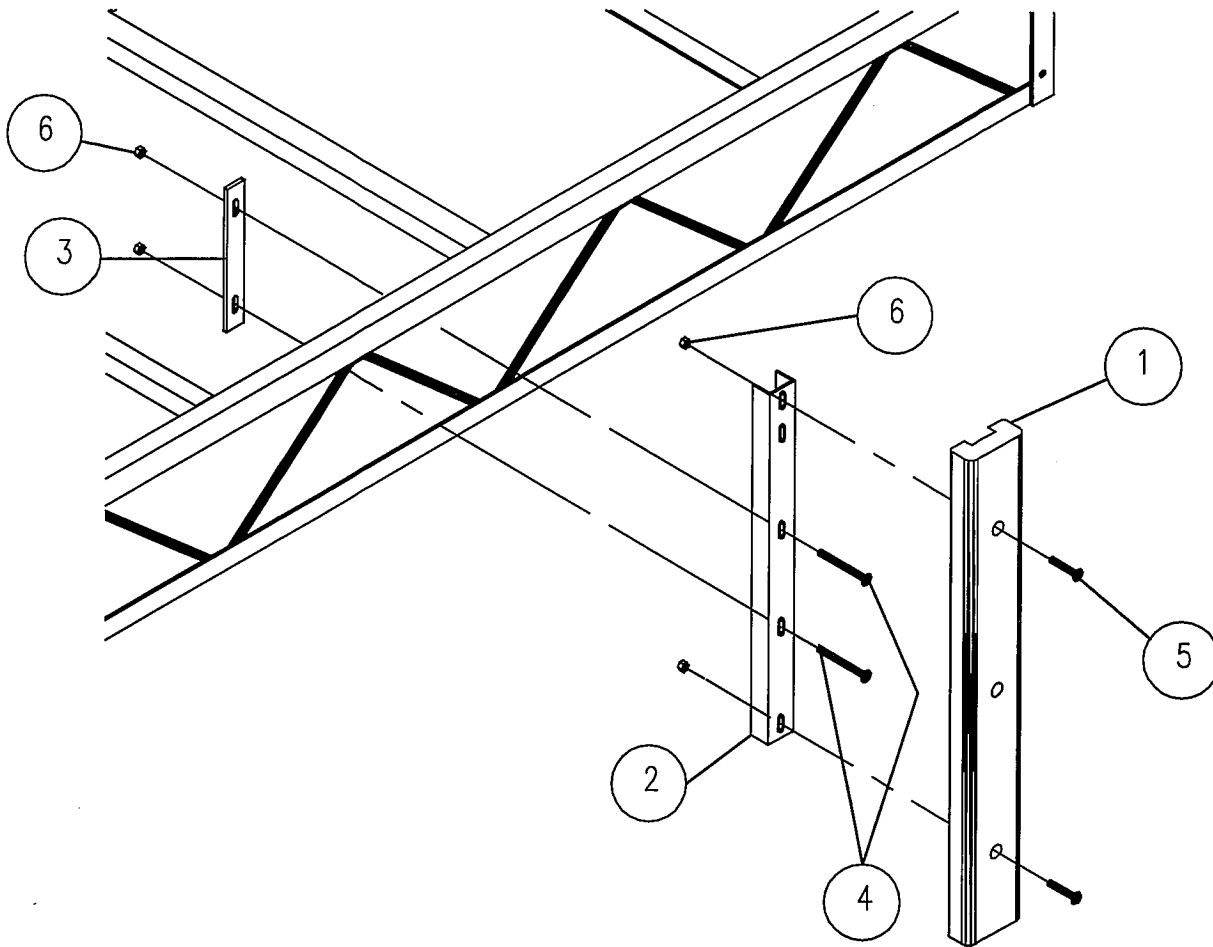


# BOLT BAG #41142

# #1046A DELUXE DOCK BUMPER



955 INDUSTRIAL STREET N.E. PINE CITY, MN 55063  
 320-629-6737 (OFFICE) • 320-629-3677 (FAX)  
 www.dakadock.com



KEY#	DESCRIPTION	PART#	QUANTITY
1.	BUMPER MOLDED PVC 36"	80831021	1
2.	ALUMINUM CHANNEL 26"	80831025	1
3.	ALUMINUM FLAT BAR	80831018	1
	BOLT BAG	41142	1
4.	CARRIAGE BOLTS 3/8" X 5 1/2"	CB38512	2
5.	TRUSS HEAD BOLTS 3/8" X 1 3/4"	SCM38134	2
6.	FLANGE NUT 3/8"	FLN38	4
7.	INSTRUCTIONS	66881046A	1
8.	PLASTIC BAG 8X48	69680014	1
9.	PLASTIC BAG 6X10	69660027	1