

BOLT BAG #41158

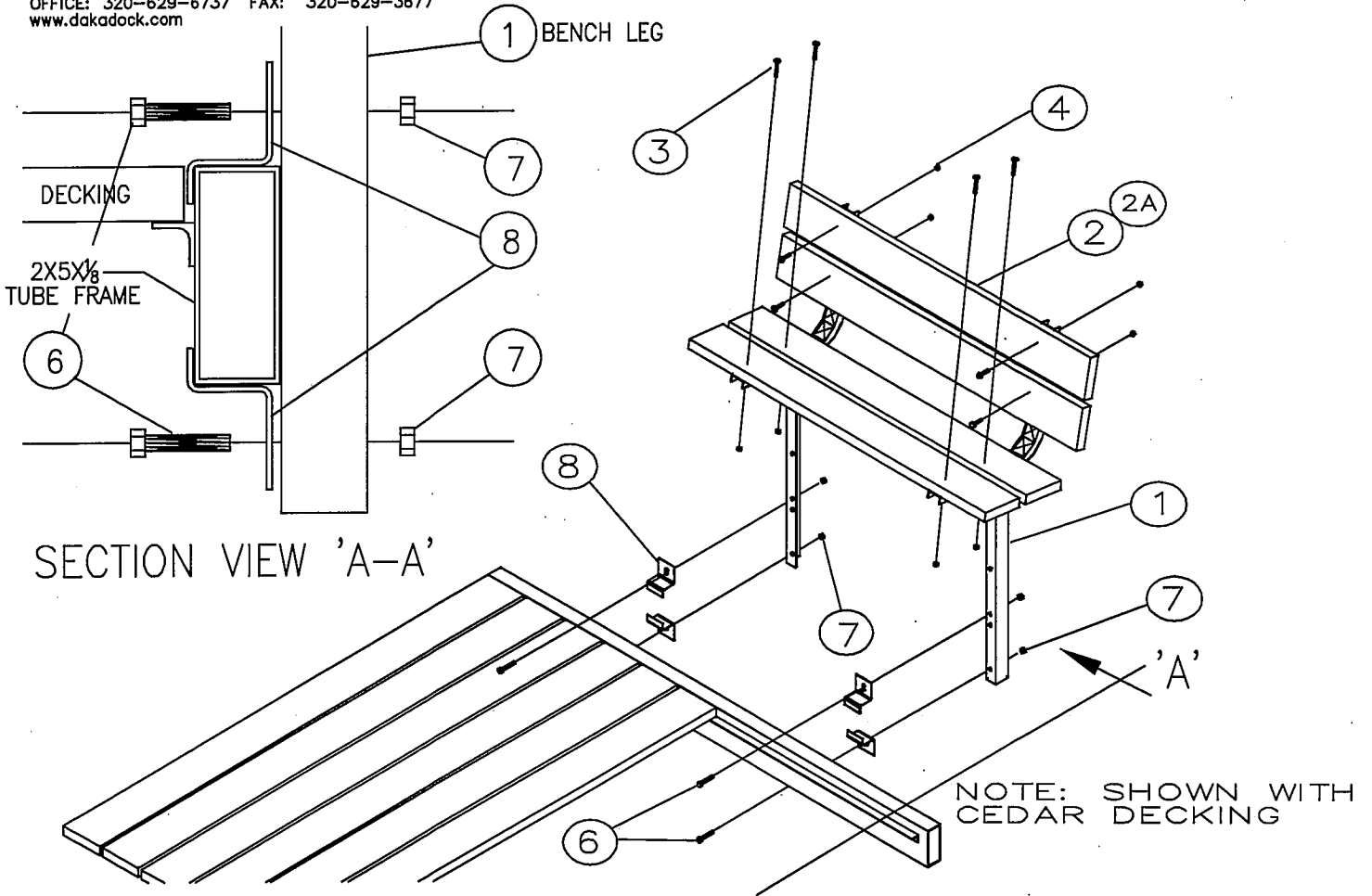
#1055CAWF/CDAWF

#1055TAWF/TDAWF

WIDE FIVE BENCH



955 INDUSTRIAL ST. N.E., PINE CITY, MN 55063
 OFFICE: 320-629-6737 FAX: 320-629-3677
 www.dakadock.com



KEY#	DESCRIPTION	PART#	QUANTITY
1.	BENCH BRACKET	1055A	2
2.	CEDAR PLANKS 5/4 X 6" X 48" (5 EACH)	10600	1
	BOLT BAG	41158	1
3.	CARRIAGE BOLTS 5/16" X 1 3/4"	CB516134	8
4.	FLANGE NUT 5/16"	FLN516	8
5.	# NOT USED		
6.	HEX BOLT 3/8" X 1"	HB381	4
7.	FLANGE NUT 3/8"	FLN38	4
8.	BENCH CLIP 1/2" X 1 1/2" X 4"	80832008	4
9.	PLASTIC BAG 6X10X6MIL	69660027	1
10.	INSTRUCTIONS	66881055	1
	TITAN PLANKS		
2A.	TITAN PLANK W/ REINFORCED ALUMINUM	81005000	2



**– BENCH FOR WIDE FIVE DOCKS –
#1055CAWF, CDAWF, TAWF, TDAWF**

(CEDAR OR TITAN)

ASSEMBLY INSTRUCTIONS

PREFERRED BENCH LOCATION:

When mounting bench to a Wide Five dock section, *it is best to locate the bench on the twelve-foot side frame tube as shown in Page 1 diagrams.*

OPTIONAL BENCH LOCATION:

If you prefer to locate the bench over the five-foot end frame plate, you will need to drill four $\frac{3}{8}$ " holes through the end plate. Bolt the bench legs directly to the end plate. In this situation, the bench clips (Key 8) will not be used. *Discard or hold onto bench brackets in case bench you ever move the bench.*