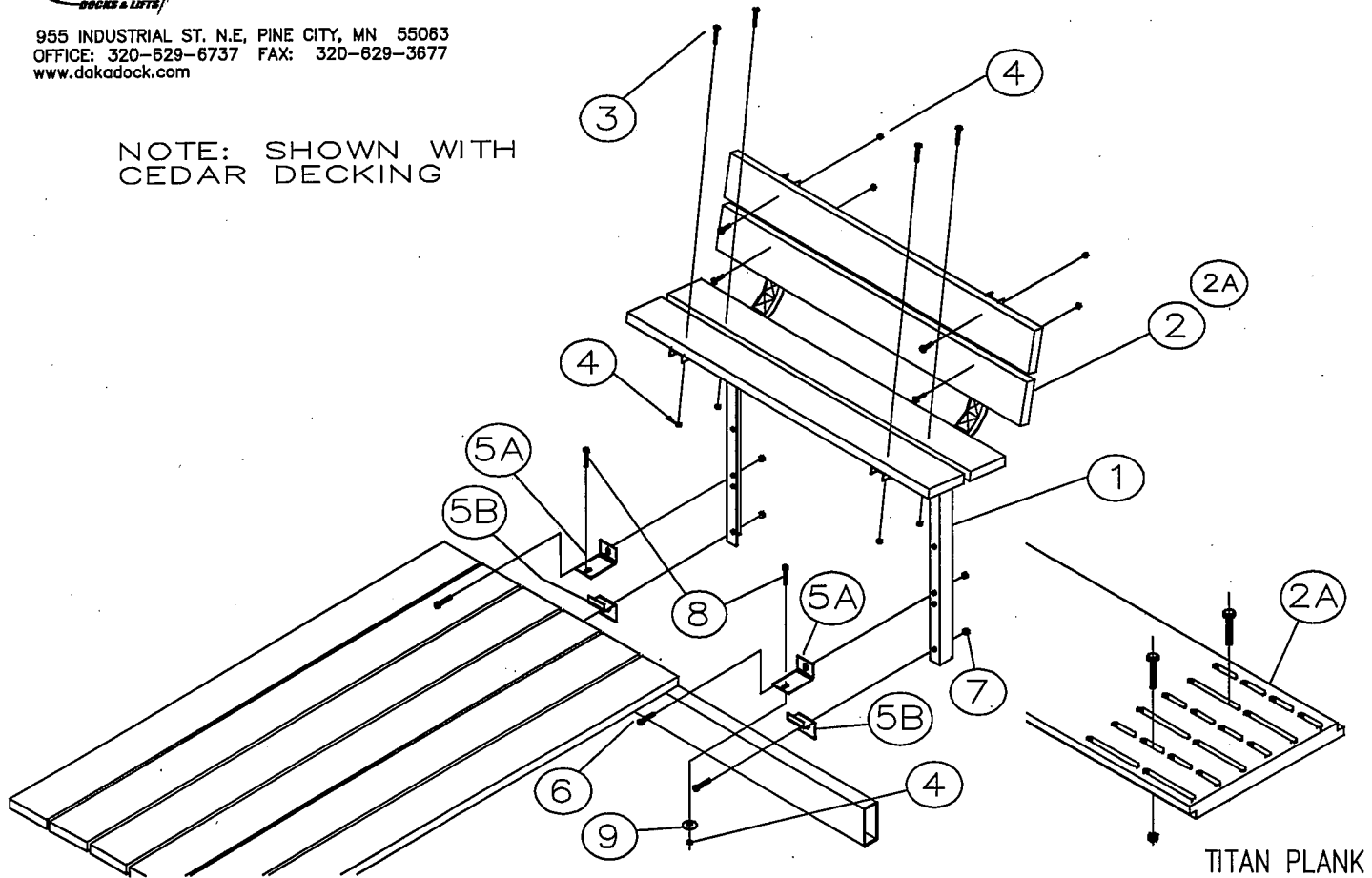


# **BOLT BAG #41157 #1055CASD/TASD #1055CDASD/TDASD BENCH FOR 4X10 SECTIONAL ( CEDAR OR TITAN )**



955 INDUSTRIAL ST. N.E, PINE CITY, MN 55063  
OFFICE: 320-629-6737 FAX: 320-629-3677  
www.dakadock.com

NOTE: SHOWN WITH CEDAR DECKING



KEY#	DESCRIPTION	PART#	QUANTITY
1.	BENCH BRACKET	1055A	2
2.	CEDAR PLANKS 5/4 X 6" X 48" (4 EACH)	10600	1
	BOLT BAG	41157	1
3.	CARRIAGE BOLTS 5/16" X 1 3/4"	CB516134	8
4.	FLANGE NUT 5/16"	FLN516	10
5A./5B.	ANCHOR CLIPS	80832008/80832009	2 EA
6.	HEX BOLT 3/8"X1"	HB381	4
7.	FLANGE NUT 3/8"	FLN38	4
8.	CARRIAGE BOLTS 5/16" x 2 3/4"	CB516234	2
9.	FLAT WASHER 5/16"	FW516	2
10.	PLASTIC BAG 6X10X6MIL	69660027	1
11.	INSTRUCTIONS	66881055SD	1
	TITAN PLANKS		
2A.	TITAN PLANKS W/ REINFORCED ALUMINUM	81005000	2