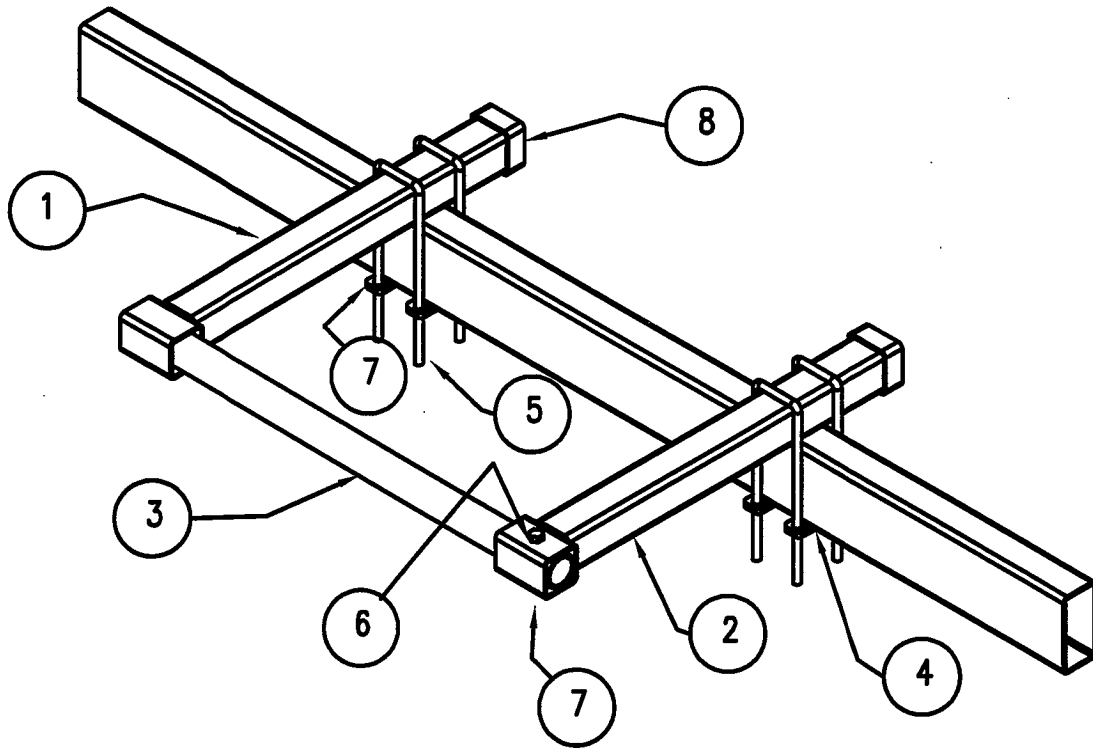


# #2015 MOTOR STOP ( FULLY ADJUSTABLE )



955 INDUSTRIAL ST. N.E. PINE CITY, MN 55063  
OFFICE: 320-629-6737 FAX: 320-629-3677  
www.dakadock.com



KEY#	DESCRIPTION	PART#	QUANTITY
1.	2X2 TUBE ASSEMBLY	42015	1
2.	2X2 TUBE ASSEMBLY w/HOLE	42016	1
3.	PVC PIPE	83842017	1
4.	MOUNTING PLATE	83842018	4
5.	3/8X2 1/8X9 U BOLT	UB382189S	4
6.	3/8X2 1/2 HEX BOLT	HB38212	1
7.	3/8 FLANGE NUTS	FLN38	9
8.	2" SQUARE TUBE CAPS	82831515	2
9.	INSTRUCTIONS FOR 2015 MOTOR STOP	66832015	1
10.	PLASTIC BAG 8X40X6MIL	69680015	1