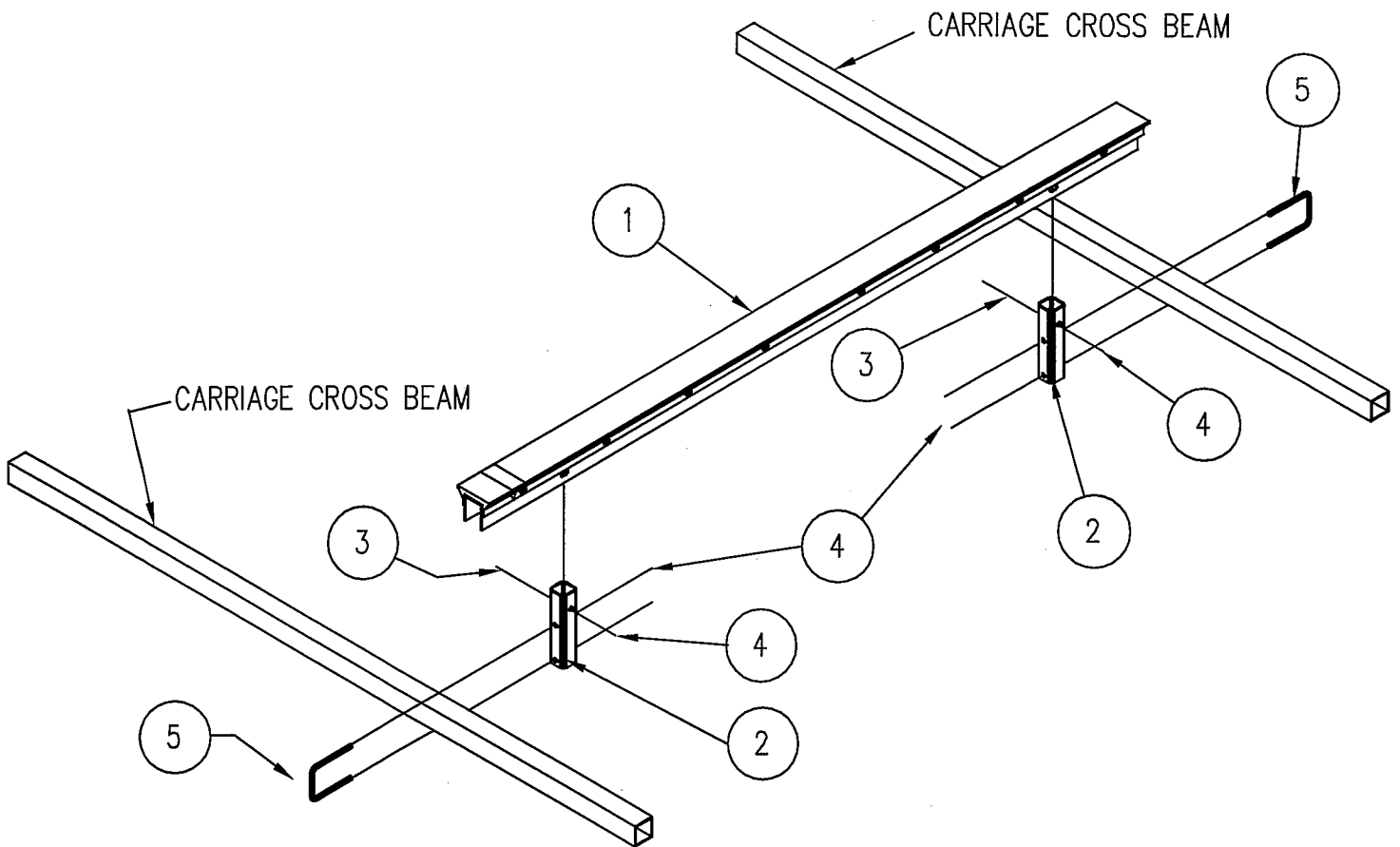


BOLT BAG #41460AV

#C1460 PWC BUNKS - FL ALUM/VINYL



955 INDUSTRIAL STREET N.E. PINE CITY, MINNESOTA 55063
 320-629-6737 (OFFICE) • 320-629-3677 (FAX)
 www.dakadock.com



| KEY# | DESCRIPTION | PART# | QUANTITY |
|------|--|-------------|----------|
| 1. | BUNKS FULL LENGTH ALUM/VINYL | C96BKAV1 | 2 |
| 2. | BOLT BAG | 41460AV | 1 |
| 3. | ALUMINUM SUPPORT TUBE 1 ³ / ₄ X1 ³ / ₄ X1 ¹ / ₈ X0'-7 ¹ / ₁₆ | C1460BKL | 4 |
| 4. | CARRIAGE 3 ⁷ / ₈ X2 ¹ / ₂ | CB38212 | 4 |
| 5. | FLANGE NUT 3 ⁷ / ₈ | FLN38 | 12 |
| 6. | U BOLT 3 ⁷ / ₈ X3 ¹ / ₈ X4 ¹ / ₂ | UB38318412S | 4 |
| 7. | INSTRUCTIONS | 66881460 | 1 |
| 8. | PLASTIC BAG 10X16X6MIL | 69680004 | 1 |