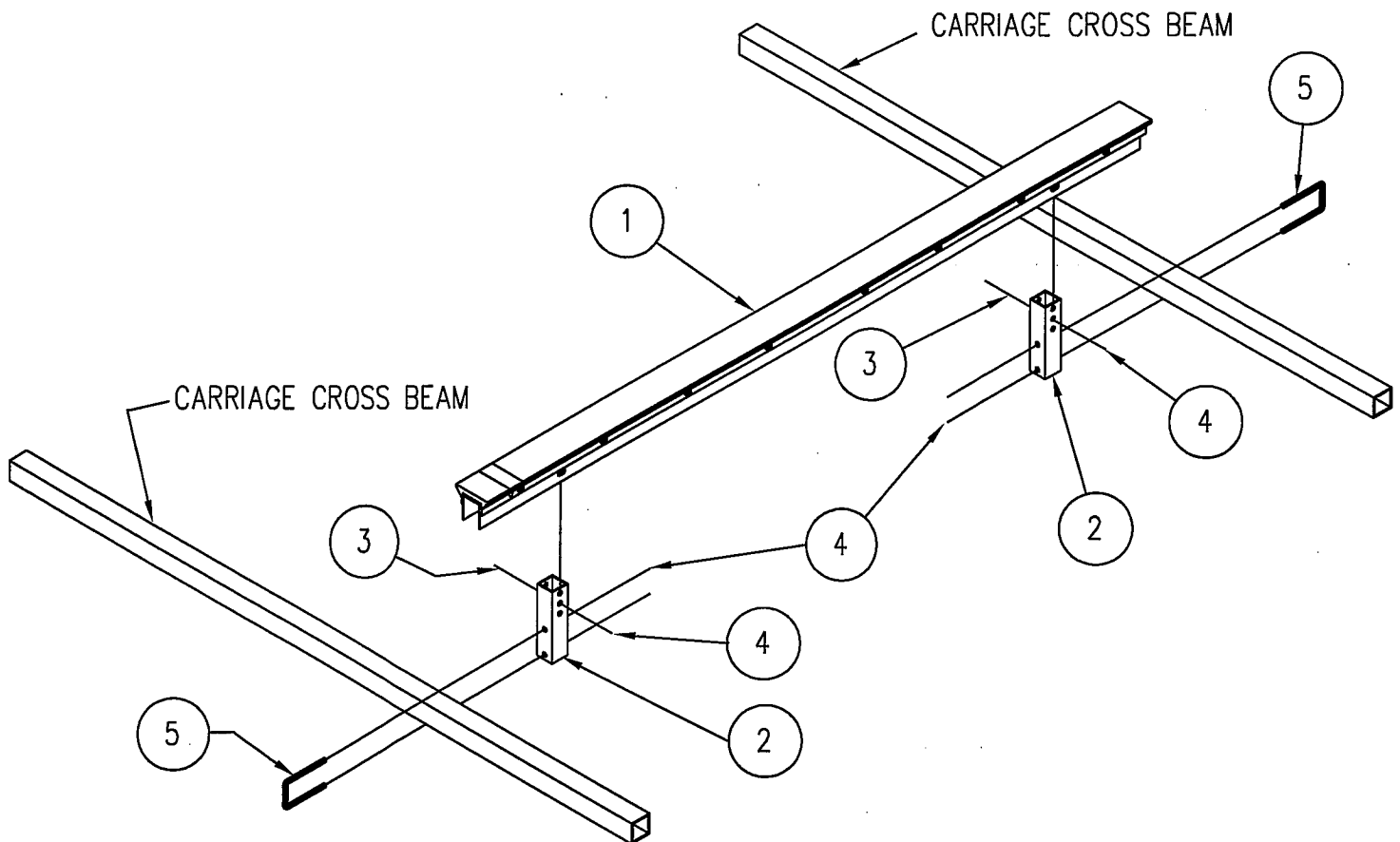


BOLT BAG #41196AV

#C96BKAV PWC BUNKS - FL ALUM/VINYL



955 INDUSTRIAL STREET N.E. PINE CITY, MINNESOTA 55063
 320-629-6737 (OFFICE) • 320-629-3677 (FAX)
 www.dakadock.com



KEY#	DESCRIPTION	PART#	QUANTITY
1.	BUNKS FULL LENGTH ALUM/VINYL	C96BKAV1 ✓	2
	BOLT BAG	41196AV ✓	1
2.	ALUMINUM SUPPORT TUBE 1¾X1¾X1/8X0' - 7 1/16	C96BKW20	4
3.	CARRIAGE ¾X2½	CB38212	4
4.	FLANGE NUT ¾	FLN38 ✓	12
5.	U BOLT ¾X2½X4¾	UB382438S ✓	4
6.	INSTRUCTIONS	66880096 ✓	1
7.	PLASTIC BAG 10X16X6MIL	69680004 ✓	1