

# HF

## HECTOR FINCH

LIGHTING

### ALBERT WALL LIGHT

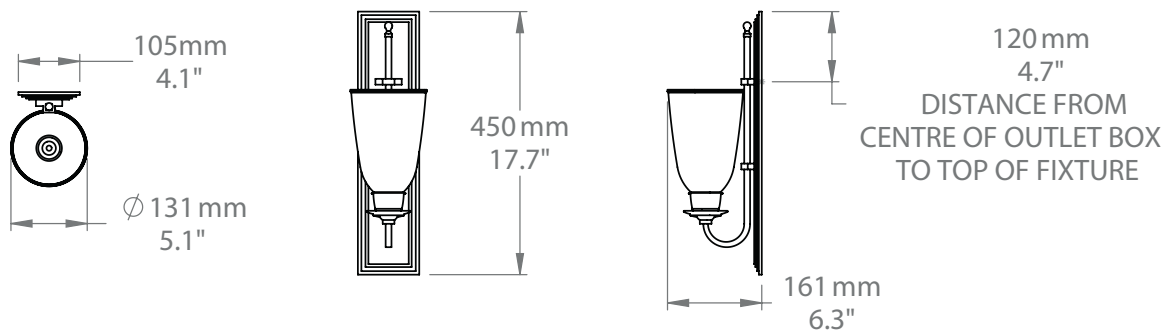
Reminiscent of the Storm Shades used to prevent candles from blowing out during high winds, the Albert Wall Light has a hand blown glass shade on a stepped rectangular backplate. Handmade in the UK, this wall light is ideal for all interior spaces including hall, corridor and landing areas. This design is made exclusively for Hector Finch Lighting.



PRODUCT CODE WL42

CATEGORY: WALL LIGHTS

### DIMENSIONS



---

## ALBERT WALL LIGHT

---

**LAMP TYPE  
INCANDESCENT****UK**  
1 x 60W (Max) E14 Candle**EU**  
1 x 60W (Max) E14 Candle**USA**  
1 x 60W (Max) E12 Candlelabra

---

**LAMP TYPE ENERGY  
SAVING**

Suitable CFL or LED equivalent.

---

**APPLICATION****UK/EU**

Suitable for indoor use. Can be IP44 rated for use within zone 2 of bathrooms. There is an additional charge for this.

---

**FINISH OPTIONS**

Antique Brass, Polished Unlacquered Brass, Polished Lacquered Brass, Bronze, Nickel Polished (shown).

---

**OTHER OPTIONS**

Glass shades can be supplied clear or frosted.

---

**ADDITIONAL  
INFORMATION****USA**

Requires 2" x 4" junction box (not supplied).

---

**WEIGHT**

2.6kg / 5.73lbs

---

**CLEANING &  
MAINTENANCE**

Metalwork - use a soft, dry cloth

Shade - turn off power supply and remove lamp from lampholder. Gently slide glass shade up candle collar and wash in clean soapy water.