

HF

HECTOR FINCH

LIGHTING

ALBERT WALL LIGHT, DOUBLE

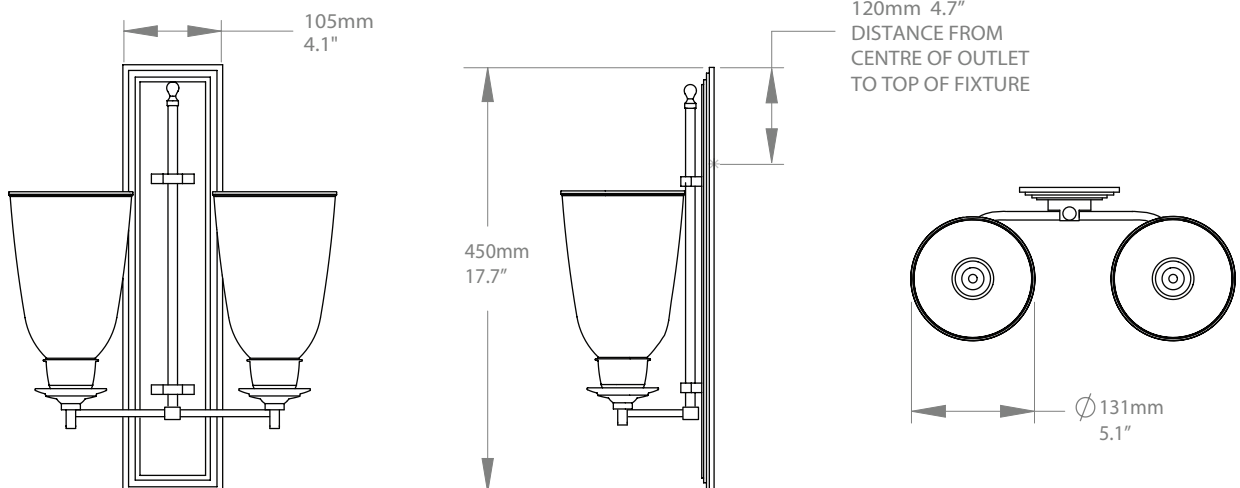
Reminiscent of the Storm Shades used to prevent candles from blowing out during high winds, the Albert Wall Light has a hand blown glass shade on a stepped rectangular backplate. Handmade in the UK, this wall light is ideal for all interior spaces including hall, corridor and landing areas. This design is made exclusively for Hector Finch Lighting.



PRODUCT CODE WL79

CATEGORY: WALL LIGHTS

DIMENSIONS



ALBERT WALL LIGHT, DOUBLE

LAMP TYPE INCANDESCENT

UK
2 x 60W (Max) E14 Candle

EU
2 x 60W (Max) E14 Candle

USA
2 x 60W (Max) E12 Candlelabra

LAMP TYPE ENERGY SAVING

Suitable CFL or LED equivalent.

APPLICATION

Suitable for indoor use. Can be IP44 rated for use within zone 2 of bathrooms. There is an additional charge for this.

FINISH OPTIONS

Antique Brass, Polished Unlacquered Brass, Polished Lacquered Brass (shown), Bronze, Nickel Polished.

ADDITIONAL INFORMATION

USA
Requires 2" x 4" junction box (not supplied).

OTHER OPTIONS

Glass shades can be supplied clear or frosted.

WEIGHT

3kg / 6lbs

CLEANING & MAINTENANCE

Metalwork - use a soft, dry cloth

Shade - turn off power supply and remove lamp from lampholder. Gently slide glass shade up candle collar and wash in clean soapy water.