



HECTOR FINCH

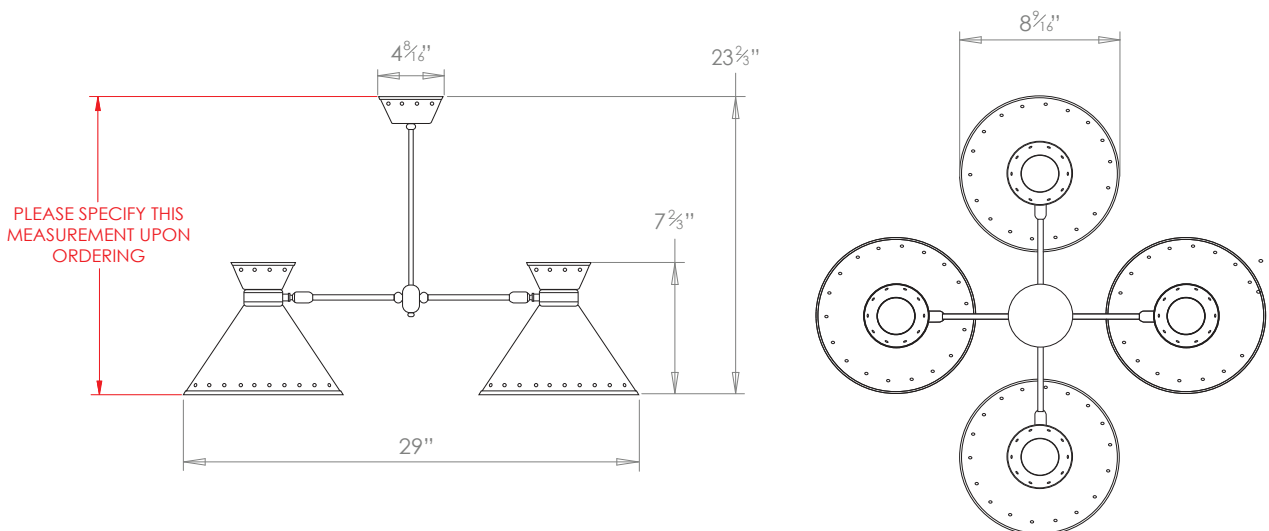
## TOM CHANDELIER



PRODUCT CODE CH80

CATEGORY: CHANDELIERS & PENDANTS

### DIMENSIONS






PRODUCT CODE CH80

CATEGORY: CHANDELIERS & PENDANTS

## TOM CHANDELIER

<b>LAMP TYPE</b>	<b>USA</b> 4 x 60W (Max) E12 Golfball
<b>FINISH OPTIONS</b>	Brass Polished Lacquered, Brass Polished Unlacquered (shown), Antique Brass, Bronze, Chrome, Nickel Polished and Nickel Matte.
<b>COLOUR OPTIONS</b>	 Acqua Arancio Bianco Giallo Grigio Naturale Nero Rosso Taupe Verde Selenio
<b>SIZE &amp; SIMILAR OPTIONS</b>	Tom Wall Light (WL259), Tom Reading Light (WL402) and Tom Swing Arm Wall Light (WL292).
<b>WEIGHT</b>	5lb 8oz
<b>ADDITIONAL INFORMATION</b>	Please specify total drop from the ceiling to the bottom of the fixture. Minimum overall drop from the ceiling to the bottom of the fixture 12".
<b>CLEANING AND MAINTENANCE INSTRUCTIONS</b>	Metalwork: We recommend a light polish with a non-abrasive lint free cloth. Do not use any metal cleaning products on the fixture as it can remove the finish entirely. Unlacquered brass finish will patinate slowly over time and can be brightened to brass by the use of a brass cleaning agent.