

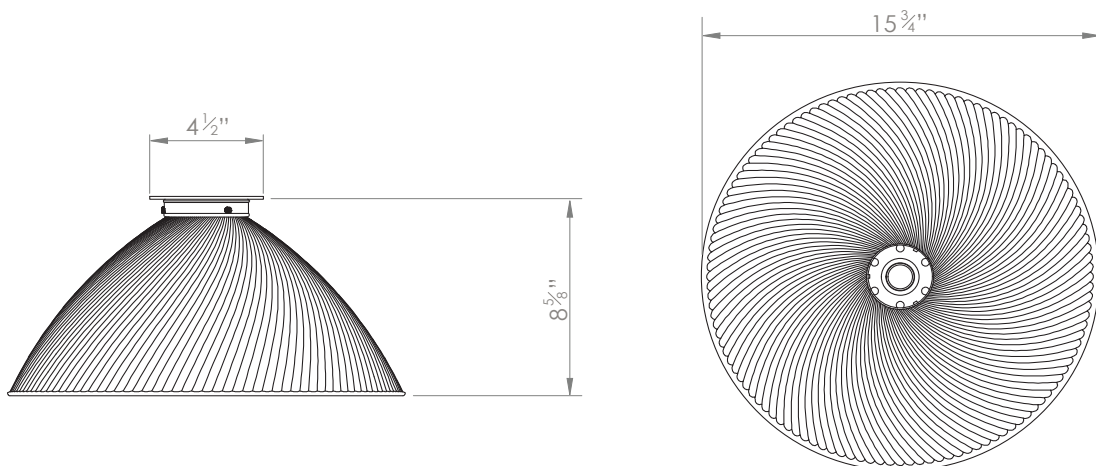
TIBER FLUSH CEILING MOUNTED LARGE



PRODUCT CODE CL25L

CATEGORY: CEILING LIGHTS

DIMENSIONS








PRODUCT CODE CL25L

CATEGORY: CEILING LIGHTS

TIBER FLUSH CEILING MOUNTED LARGE

LAMP TYPE	USA 1 x 60W (Max) E26 Crown Silver General Service
FINISH OPTIONS	Brass Polished Lacquered, Brass Polished Unlacquered (shown), Antique Brass, Bronze, Chrome, Nickel Polished and Nickel Matte.
COLOUR OPTIONS	<div style="display: flex; justify-content: space-around; align-items: center;"><div style="text-align: center;"><p>Grey</p></div><div style="text-align: center;"><p>Green</p></div></div> <p>* Shades can be custom painted with colours from the RAL chart available on request.</p>
SIZE & SIMILAR OPTIONS	Tiber Flush Mini Ceiling Mounted (CL30), Tiber Pendant Small (PL134S), Tiber Pendant Large (PL134L), Tiber Pendant Double on Rod (PL405S), Tiber Wall Light (WL72), Tiber Wall Light Double (WL14), Tiber Flush Wall Mounted (WL423) and Tiber Flush Small Ceiling Mounted (CL25S).
WEIGHT	11lb
ACCREDITATION	This product is UL certificated. 
CLEANING AND MAINTENANCE INSTRUCTIONS	Metalwork: We recommend a light polish with a non-abrasive lint free cloth. Do not use any metal cleaning products on the fixture as it can remove the finish entirely. Unlacquered brass finish will patinate slowly over time and can be brightened to brass by the use of a brass cleaning agent.