

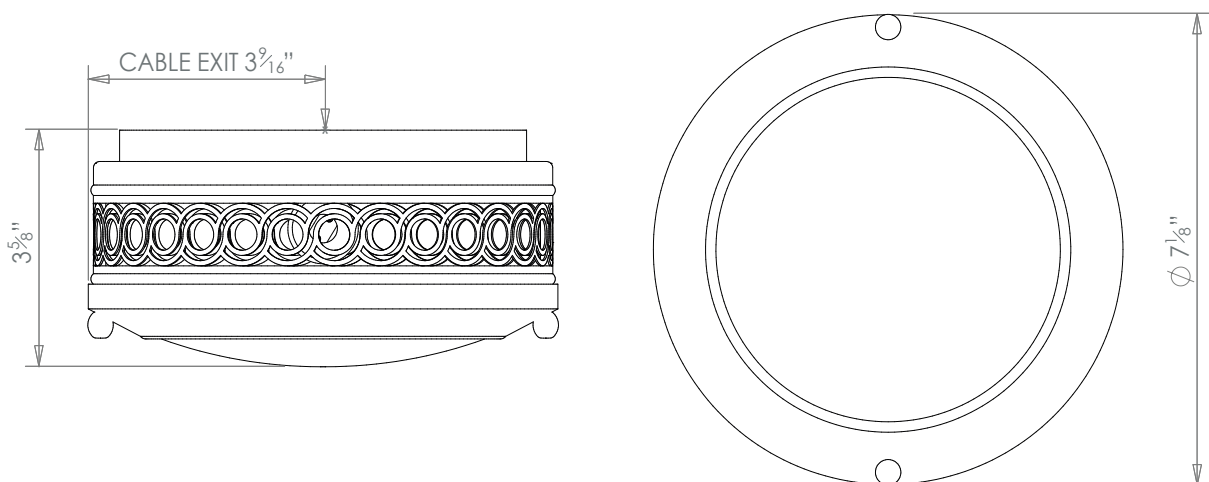
## DIANA PORTHOLE SMALL



PRODUCT CODE CL26S

CATEGORY: CEILING LIGHT

### DIMENSIONS





PRODUCT CODE CL26S

CATEGORY: CEILING LIGHT

---

## DIANA PORTHOLE SMALL

<b>LAMP TYPE</b>	<b>USA</b> 1 x 40W (Max) E12 Candle
<b>FINISH OPTIONS</b>	Brass Polished Unlacquered, Antique Brass (shown), Bronze, and Nickel Polished.
<b>WEIGHT</b>	6lb 10oz
<b>SIZE &amp; SIMILAR OPTIONS</b>	Diana Porthole Small (CL26S), Diana Porthole Extra Large (CL26XL), Porthole Ceiling Light Small (CL03S), Porthole Ceiling Light Large (CL03L) and Porthole Ceiling Light Extra Large (CL03XL).
<b>CLEANING AND MAINTENANCE INSTRUCTIONS</b>	<p>Glass: The glass can be cleaned with a glass cleaner and a lint free cloth. Do not spray glass cleaner directly on the glass or fixture as it could affect the metal finish. Ensure the light is switched off and take care not to pull the flex or allow water to come into contact with the electrical components. Regular dusting with a feather duster will also help keep the glass clean.</p> <p>Metalwork: We recommend a light polish with a non-abrasive lint free cloth. Do not use any metal cleaning products on the fixture as it can remove the finish entirely. Unlacquered brass finish will patinate slowly over time and can be brightened to brass by the use of a brass cleaning agent</p>