



HECTOR FINCH

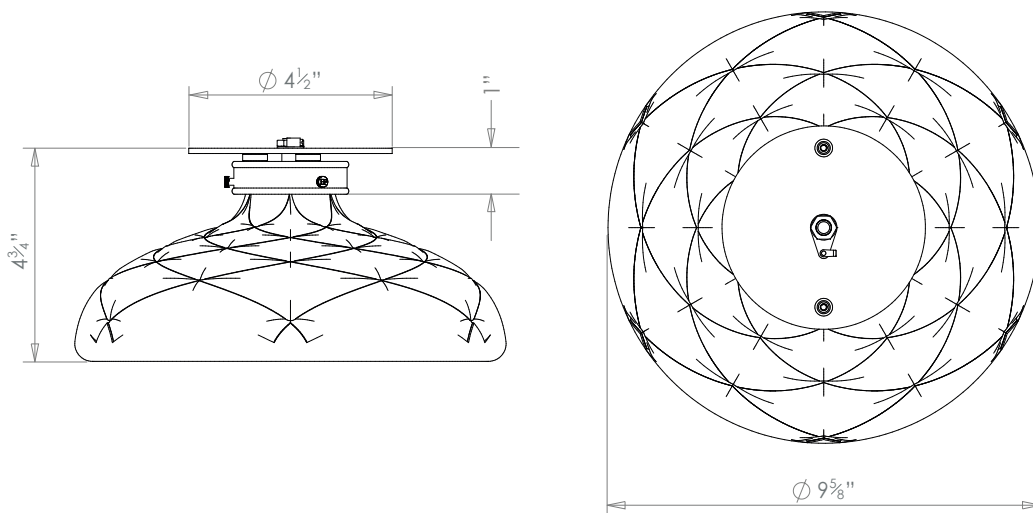
CLOUD FLUSH MOUNT



PRODUCT CODE CL35

CATEGORY: CEILING LIGHTS

DIMENSIONS





PRODUCT CODE CL35

CATEGORY: CEILING LIGHTS

CLOUD FLUSH MOUNT

LAMP TYPE

USA

1 x 40W (Max) E12 Crown Silver Golfball

FINISH OPTIONS

Brass Polished Lacquered, Brass Polished Unlacquered, Antique Brass (shown), Bronze, Chrome, Nickel Polished and Nickel Matt.

SIZE & SIMILAR OPTIONS

Cloud Pendant (PL109)

**CLEANING AND
MAINTENANCE
INSTRUCTIONS**

Glass:

The glass then can be cleaned with a glass cleaner and a lint free cloth. Do not spray glass cleaner directly on the glass or fixture as it could affect the metal finish. Ensure the light is switched off and take care not to pull the flex or allow water to come into contact with the electrical components. Regular dusting with a feather duster will also help keep the glass clean.

Metalwork:

We recommend a light polish with a non-abrasive lint free cloth. Do not use any metal cleaning products on the fixture as it can remove the finish entirely. Unlacquered brass finish will patinate slowly over time and can be brightened to brass by the use of a brass cleaning agent.