



HECTOR FINCH

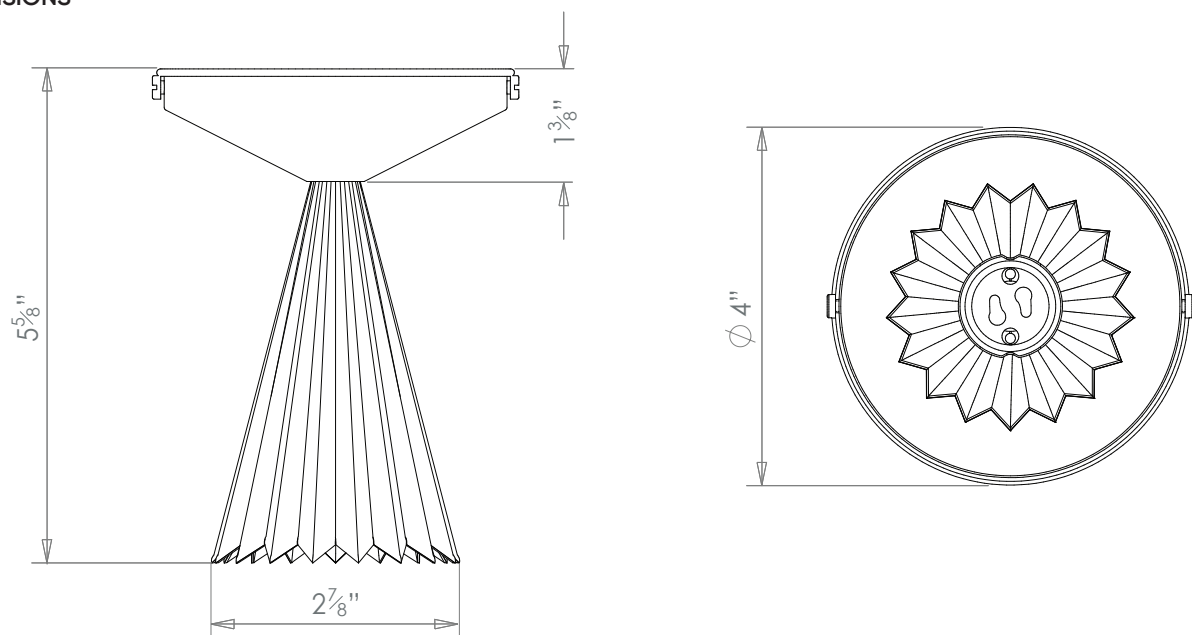
SCALLOP FLUTED CONE CEILING LIGHT



PRODUCT CODE CL37

CATEGORY: CEILING LIGHT

DIMENSIONS





HECTOR FINCH

PRODUCT CODE CL37

CATEGORY: CEILING LIGHT

SCALLOP FLUTED CONE CEILING LIGHT

LAMP TYPE	USA 1 x 5W (Max) GU10 LED
FINISH OPTIONS	Brass Polished Unlacquered (shown), Brass Polished Lacquered, Antique Brass, Bronze, Chrome, Nickel Polished and Nickel Matte.
WEIGHT	10 oz
ADDITIONAL INFORMATION	The bulb supplied is non-dimmable. Dimmable GU10 bulbs can be sourced from your local hardware store.
CLEANING AND MAINTENANCE INSTRUCTIONS	Metalwork: We recommend a light polish with a non-abrasive lint free cloth. Do not use any metal cleaning products on the fixture as it can remove the finish entirely. Unlacquered brass finish will patinate slowly over time and can be brightened to brass by the use of a brass cleaning agent