

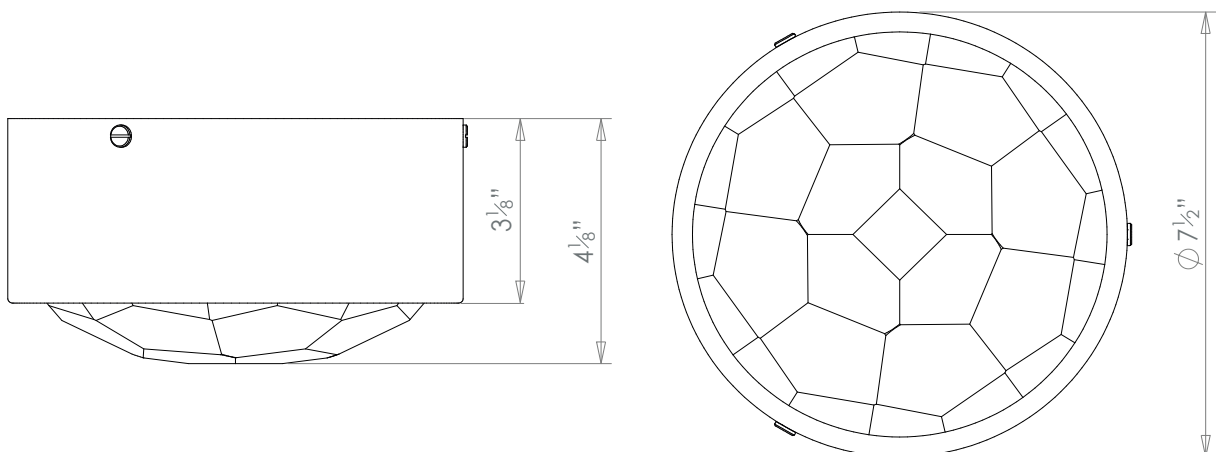
## MARIAN FLUSH MOUNT



PRODUCT CODE CL38

CATEGORY: CEILING LIGHTS

### DIMENSIONS





PRODUCT CODE CL38

CATEGORY: CEILING LIGHTS

---

## MARIAN FLUSH MOUNT

<b>LAMP TYPE</b>	<b>USA</b> 2 x 4W (Max) E12 LED
<b>FINISH OPTIONS</b>	Brass Polished Lacquered, Brass Polished Unlacquered, Antique Brass (shown), Bronze, Chrome, Nickel Polished and Nickel Matte.
<b>SIZE &amp; SIMILAR OPTIONS</b>	Marian Flush Mount Frosted (CL39).
<b>CLEANING AND MAINTENANCE INSTRUCTIONS</b>	<p>Glass: The glass can be cleaned with a glass cleaner and a lint free cloth. Do not spray glass cleaner directly on the glass or fixture as it could affect the metal finish. Ensure the light is switched off and take care not to pull the flex or allow water to come into contact with the electrical components. Regular dusting with a feather duster will also help keep the glass clean.</p> <p>Metalwork: We recommend a light polish with a non-abrasive lint free cloth. Do not use any metal cleaning products on the fixture as it can remove the finish entirely. Unlacquered brass finish will patinate slowly over time and can be brightened to brass by the use of a brass cleaning agent.</p>