



HECTOR FINCH

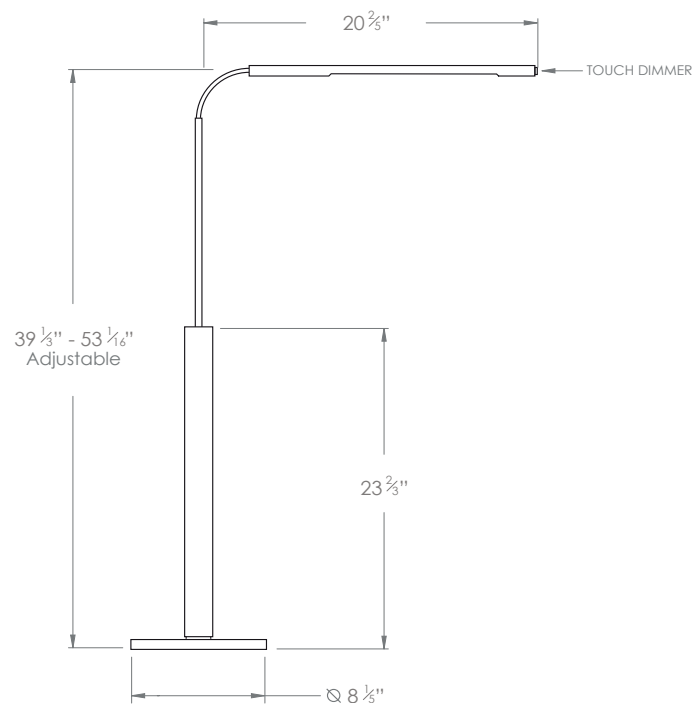
## PIN READING LAMP



PRODUCT CODE FL10

CATEGORY: TABLE & FLOOR LIGHTS

### DIMENSIONS





HECTOR FINCH

PRODUCT CODE FL10

CATEGORY: TABLE & FLOOR LIGHTS

---

## PIN READING LAMP

<b>LAMP TYPE</b>	<b>USA</b> 1 x LED 150 (approx. 6.4 Watt) incl.
<b>FINISH OPTIONS</b>	Brass Polished Lacquered, Brass Brushed Lacquered, Chrome, Nickel Polished (shown) and Nickel Matte.
<b>SIZE &amp; SIMILAR OPTIONS</b>	Pin D Dimmable Reading Lamp (FL17).
<b>WEIGHT</b>	12lb 2oz
<b>CLEANING AND MAINTENANCE INSTRUCTIONS</b>	Metalwork: We recommend a light polish with a non-abrasive lint free cloth. Do not use any metal cleaning products on the fixture as it can remove the finish entirely. Unlacquered brass finish will patinate slowly over time and can be brightened to brass by the use of a brass cleaning agent.