



HECTOR FINCH

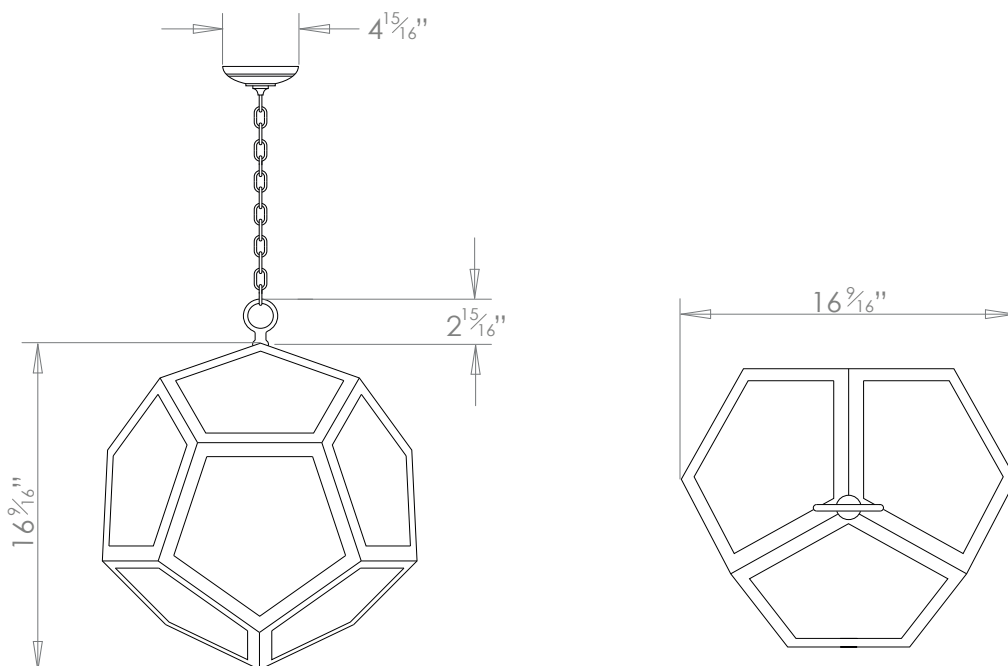
## VIENNA HANGING LANTERN SMALL



PRODUCT CODE LA409S

CATEGORY: HANGING LANTERNS

### DIMENSIONS





PRODUCT CODE LA409S

CATEGORY: HANGING LANTERNS

---

## VIENNA HANGING LANTERN SMALL

<b>LAMP TYPE</b>	<b>USA</b> 3 x 40W (Max) E12 Candelabra
<b>FINISH OPTIONS</b>	Brass Polished Unlacquered, Antique Brass, and Bronze.
<b>SIZE &amp; SIMILAR OPTIONS</b>	Vienna Hanging Lantern Medium (LA409M) and Vienna Hanging Lantern Large (LA409L).
<b>WEIGHT</b>	19lb 13oz
<b>ADDITIONAL INFORMATION</b>	Supplied with 23" of chain and canopy as standard. Minimum overall drop from the ceiling to the bottom 22".
<b>CLEANING AND MAINTENANCE INSTRUCTIONS</b>	<p><b>Glass:</b> Remove the glass where it is safe to do so. The glass then can be cleaned with a glass cleaner and a lint free cloth. Do not spray glass cleaner directly on the glass or fixture as it could affect the metal finish. Ensure the light is switched off and take care not to pull the flex or allow water to come into contact with the electrical components. Regular dusting with a feather duster will also help keep the glass clean.</p> <p><b>Metalwork:</b> We recommend a light polish with a non-abrasive lint free cloth. Do not use any metal cleaning products on the fixture as it can remove the finish entirely. Unlacquered brass finish will patinate slowly over time and can be brightened to brass by the use of a brass cleaning agent.</p>