



HECTOR FINCH

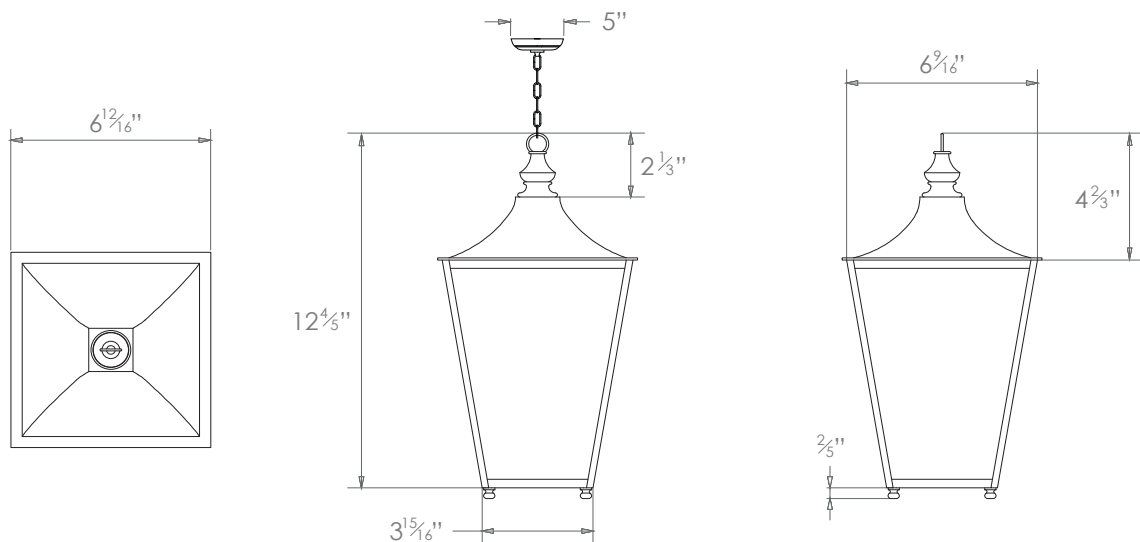
ATHENA HANGING LANTERN SMALL OSH VERSION



PRODUCT CODE LA412SOSH

CATEGORY: HANGING LANTERNS

DIMENSIONS





PRODUCT CODE LA412SOSH

CATEGORY: HANGING LANTERNS

ATHENA HANGING LANTERN SMALL OSH VERSION

LAMP TYPE	USA 1 x Osh Lamp with 33W (Max) G9 halogen
FINISH OPTIONS	Brass Polished Lacquered, Brass Polished Unlacquered (shown), Antique Brass, Bronze and Nickel Polished.
SIZE & SIMILAR OPTIONS	Athena Hanging Lantern on Bracket (WL134), Athena Wall Lantern Small (WL430S), Athena Hanging Lantern Large (LA412L) and Athena Wall Lantern Large (WL430L).
WEIGHT	5lb 8oz
ADDITIONAL INFORMATION	Supplied with 23" of chain and canopy as standard. Minimum overall drop from the ceiling to the bottom 17". Suitable for indoor and outdoor undercover use.
CLEANING AND MAINTENANCE INSTRUCTIONS	<p>Glass: Remove the glass where it is safe to do so. The glass then can be cleaned with a glass cleaner and a lint free cloth. Do not spray glass cleaner directly on the glass or fixture as it could affect the metal finish. Ensure the light is switched off and take care not to pull the flex or allow water to come into contact with the electrical components. Regular dusting with a feather duster will also help keep the glass clean.</p> <p>Metalwork: We recommend a light polish with a non-abrasive lint free cloth. Do not use any metal cleaning products on the fixture as it can remove the finish entirely. Unlacquered brass finish will patinate slowly over time and can be brightened to brass by the use of a brass cleaning agent.</p>