



HECTOR FINCH

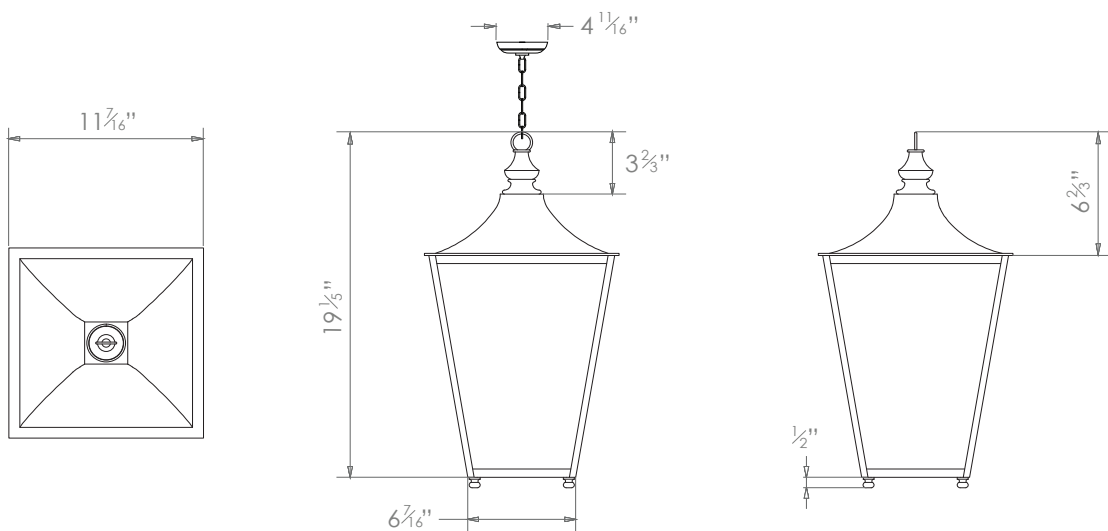
## ATHENA HANGING LANTERN ZINC LARGE



PRODUCT CODE LA412ZINCL

CATEGORY: HANGING LANTERNS

### DIMENSIONS





PRODUCT CODE LA412ZINCL

CATEGORY: HANGING LANTERNS

---

## ATHENA HANGING LANTERN ZINC LARGE

<b>LAMP TYPE</b>	<b>USA</b> 2 x 60W (Max) E26 General Service
<b>FINISH OPTIONS</b>	Zinc (Shown).
<b>SIZE &amp; SIMILAR OPTIONS</b>	Athena Hanging Lantern on Bracket (WL134), Athena Hanging Lantern Small (LA412S), Athena Wall Lantern Small (WL430S) and Athena Wall Lantern Large (WL430L).
<b>WEIGHT</b>	11lb
<b>ADDITIONAL INFORMATION</b>	Supplied with 23" of chain and canopy as standard. Minimum overall drop from the ceiling to the bottom 23". Suitable for indoor and outdoor undercover use.
<b>CLEANING AND MAINTENANCE INSTRUCTIONS</b>	<p>Glass: Remove the glass where it is safe to do so. The glass then can be cleaned with a glass cleaner and a lint free cloth. Do not spray glass cleaner directly on the glass or fixture as it could affect the metal finish. Ensure the light is switched off and take care not to pull the flex or allow water to come into contact with the electrical components. Regular dusting with a feather duster will also help keep the glass clean.</p> <p>Metalwork: We recommend a light polish with a non-abrasive lint free cloth. Do not use any metal cleaning products on the fixture as it can remove the finish entirely. Unlacquered brass finish will patinate slowly over time and can be brightened to brass by the use of a brass cleaning agent.</p>