



HECTOR FINCH

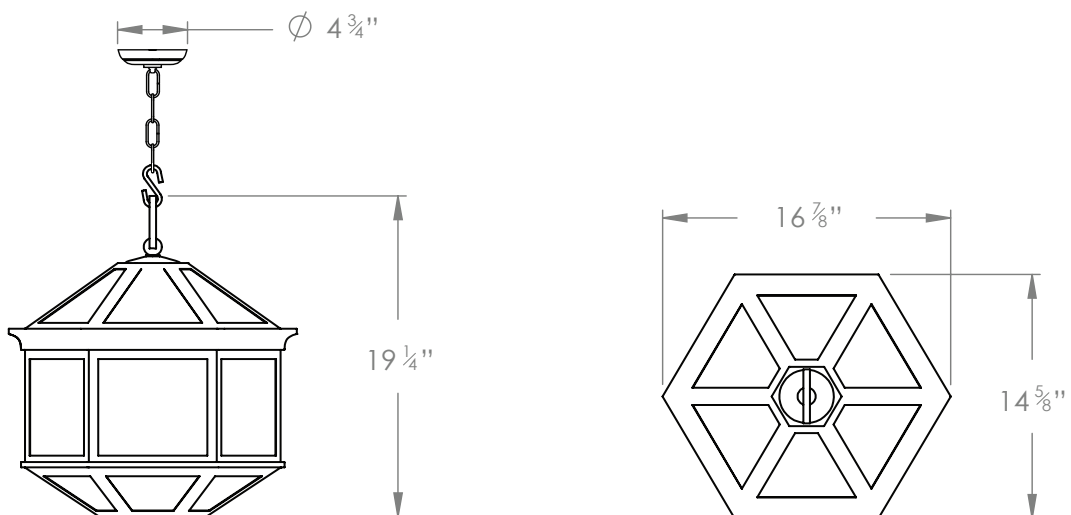
ALEX HANGING LANTERN SMALL



PRODUCT CODE LA61S

CATEGORY: HANGING LANTERNS

DIMENSIONS





PRODUCT CODE LA61S

CATEGORY: HANGING LANTERNS

ALEX HANGING LANTERN SMALL

LAMP TYPE	USA 3 x E14 40W (Max) Candle
FINISH OPTIONS	Antique Brass, Bronze, Nickel Polished, Black and Zinc (shown).
WEIGHT	13lb 14oz
ADDITIONAL INFORMATION	Supplied with 23" of chain and canopy as standard. Suitable for indoor and outdoor undercover use.
CLEANING AND MAINTENANCE INSTRUCTIONS	<p>Glass: Remove the glass where it is safe to do so. The glass then can be cleaned with a glass cleaner and a lint free cloth. Do not spray glass cleaner directly on the glass or fixture as it could affect the metal finish. Ensure the light is switched off and take care not to pull the flex or allow water to come into contact with the electrical components. Regular dusting with a feather duster will also help keep the glass clean.</p> <p>Metalwork: We recommend a light polish with a non-abrasive lint free cloth. Do not use any metal cleaning products on the fixture as it can remove the finish entirely. Unlacquered brass finish will patinate slowly over time and can be brightened to brass by the use of a brass cleaning agent.</p>