



HECTOR FINCH

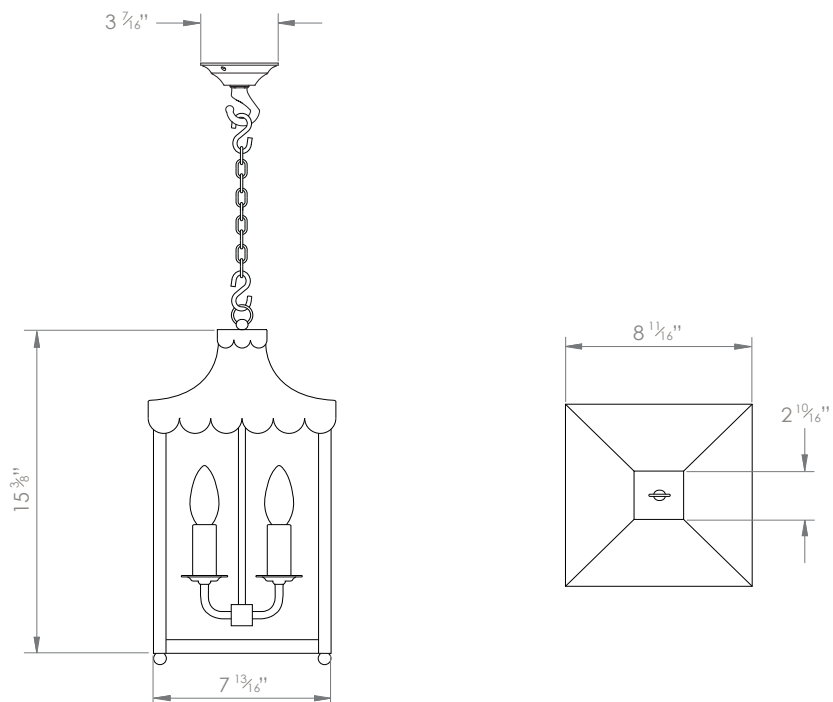
SCALLOP EDGE HANGING LANTERN OSH VERSION



PRODUCT CODE LA80SH

CATEGORY: HANGING LANTERNS

DIMENSIONS






PRODUCT CODE LA8OSH

CATEGORY: HANGING LANTERNS

SCALLOP EDGE HANGING LANTERN OSH VERSION

LAMP TYPE	USA 2 x Osh Lamp with 33W (Max) G9 halogen
FINISH OPTIONS	Antique Brass (shown) and Zinc.
SIZE & SIMILAR OPTIONS	Scallop Edge Wall Lantern (WL21).
WEIGHT	6lb 3oz
ACCREDITATION	This product is UL certificated. 
ADDITIONAL INFORMATION	Supplied with 35" chain and ceiling plate. Minimum overall drop from the ceiling to the bottom 20". Suitable for indoor and outdoor undercover use.
CLEANING AND MAINTENANCE INSTRUCTIONS	<p>Glass: Remove the glass where it is safe to do so. The glass then can be cleaned with a glass cleaner and a lint free cloth. Do not spray glass cleaner directly on the glass or fixture as it could affect the metal finish. Ensure the light is switched off and take care not to pull the flex or allow water to come into contact with the electrical components. Regular dusting with a feather duster will also help keep the glass clean.</p> <p>Metalwork: We recommend a light polish with a non-abrasive lint free cloth. Do not use any metal cleaning products on the fixture as it can remove the finish entirely. Unlacquered brass finish will patinate slowly over time and can be brightened to brass by the use of a brass cleaning agent.</p>