



HECTOR FINCH

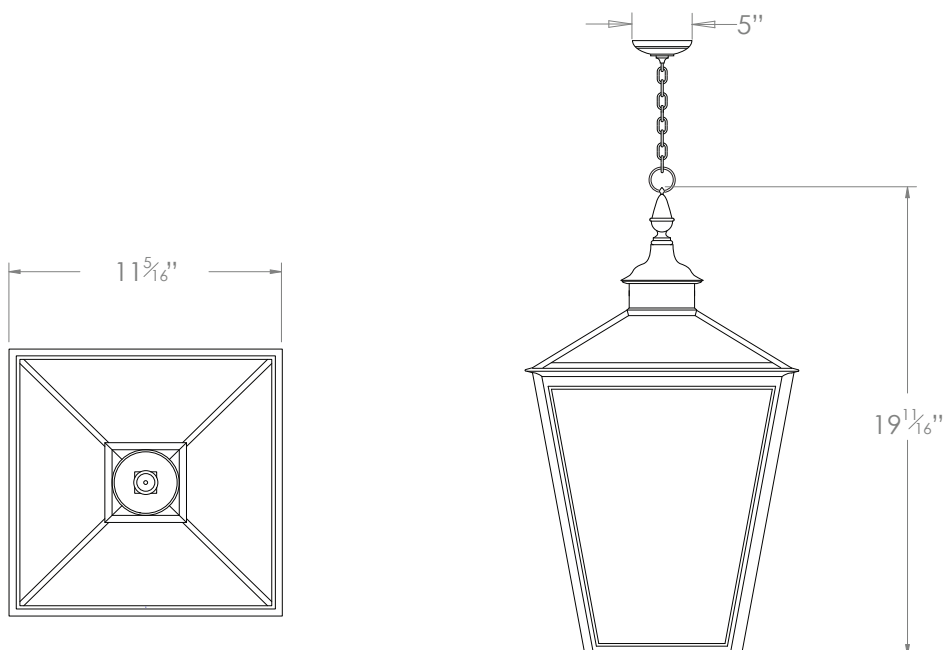
SIR JOHN SOANE HANGING LANTERN SMALL



PRODUCT CODE LA92S

CATEGORY: HANGING LANTERNS

DIMENSIONS





PRODUCT CODE LA92S

CATEGORY: HANGING LANTERNS

SIR JOHN SOANE HANGING LANTERN SMALL

LAMP TYPE	USA 3 x 40W (Max) E12 Candelabra
FINISH OPTIONS	Antique Brass (shown), Bronze and Zinc.
SIZE & SIMILAR OPTIONS	Sir John Soane Wall Lantern (WL275), Sir John Soane Hanging Lantern Large (LA92L) and Sir John Soane Hanging Lantern With Roof on Bracket (WL460).
WEIGHT	14lb 5oz
ADDITIONAL INFORMATION	Supplied with 23" of chain and canopy as standard. Minimum overall drop from the ceiling to the bottom 24".
CLEANING AND MAINTENANCE INSTRUCTIONS	<p>Glass: Remove the glass where it is safe to do so. The glass then can be cleaned with a glass cleaner and a lint free cloth. Do not spray glass cleaner directly on the glass or fixture as it could affect the metal finish. Ensure the light is switched off and take care not to pull the flex or allow water to come into contact with the electrical components. Regular dusting with a feather duster will also help keep the glass clean.</p> <p>Metalwork: We recommend a light polish with a non-abrasive lint free cloth. Do not use any metal cleaning products on the fixture as it can remove the finish entirely. Unlacquered brass finish will patinate slowly over time and can be brightened to brass by the use of a brass cleaning agent.</p>