



HECTOR FINCH

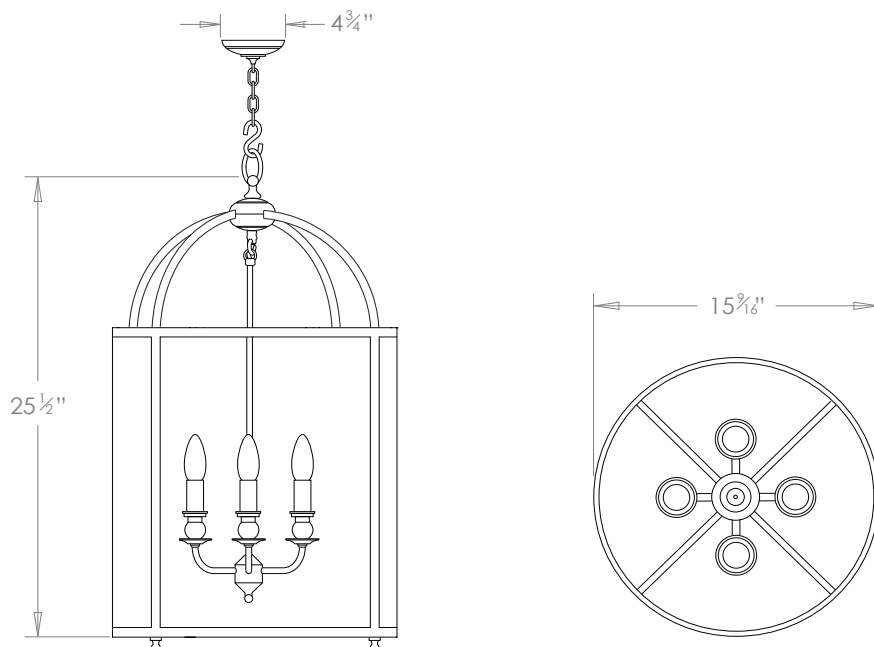
BEATRICE HANGING LANTERN SMALL



PRODUCT CODE LA96S

CATEGORY: HANGING LANTERNS

DIMENSIONS






PRODUCT CODE LA96S

CATEGORY: HANGING LANTERNS

BEATRICE HANGING LANTERN SMALL

LAMP TYPE	USA 4 x 40W (Max) E12 Candelabra
FINISH OPTIONS	Brass Polished Unlacquered, Antique Brass (shown), Bronze and Nickel Polished.
SIZE & SIMILAR OPTIONS	Beatrice Hanging Lantern Extra Small (LA96XS) and Beatrice Hanging Lantern Large (LA96L).
WEIGHT	19lb 13oz
ACCREDITATION	This product is UL certificated. 
ADDITIONAL INFORMATION	Supplied with 23" of chain and canopy as standard. Minimum overall drop from the ceiling to the bottom 30".
CLEANING AND MAINTENANCE INSTRUCTIONS	<p>Glass: Remove the glass where it is safe to do so. The glass then can be cleaned with a glass cleaner and a lint free cloth. Do not spray glass cleaner directly on the glass or fixture as it could affect the metal finish. Ensure the light is switched off and take care not to pull the flex or allow water to come into contact with the electrical components. Regular dusting with a feather duster will also help keep the glass clean.</p> <p>Metalwork: We recommend a light polish with a non-abrasive lint free cloth. Do not use any metal cleaning products on the fixture as it can remove the finish entirely. Unlacquered brass finish will patinate slowly over time and can be brightened to brass by the use of a brass cleaning agent.</p>