



HECTOR FINCH

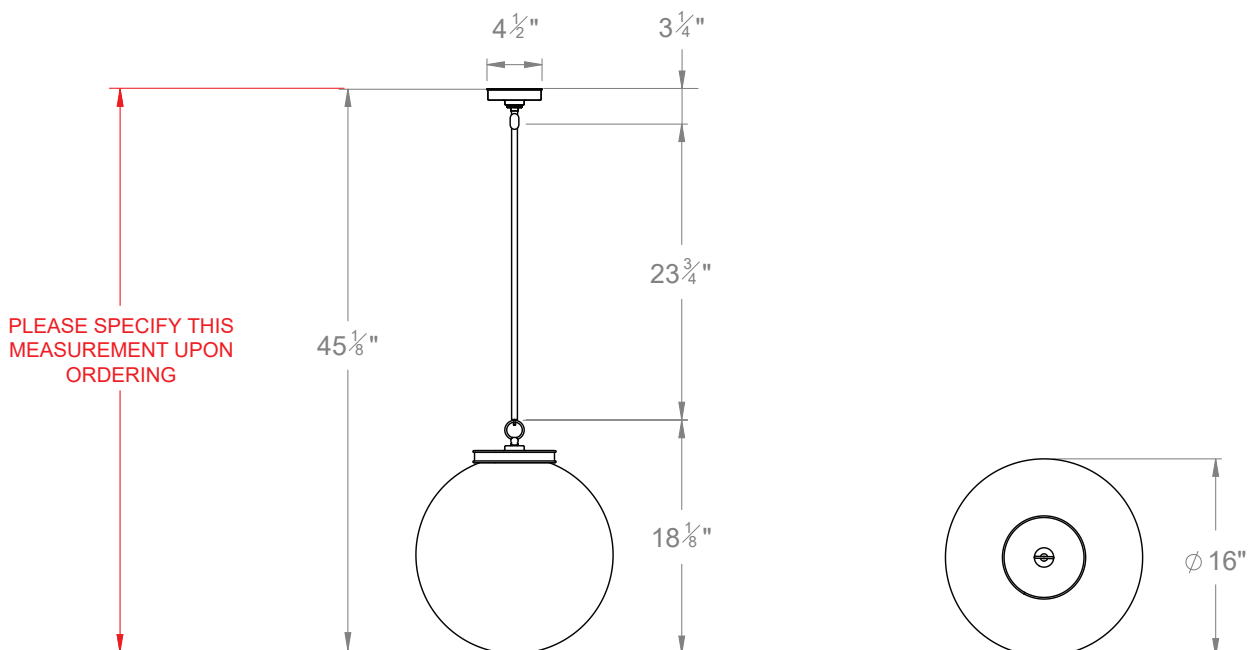
HECTOR GLASS GLOBE OPAL LARGE



PRODUCT CODE PL103L

CATEGORY: CHANDELIERS & PENDANTS

DIMENSIONS





HECTOR FINCH

PRODUCT CODE PL103L

CATEGORY: CHANDELIERS & PENDANTS

HECTOR GLASS GLOBE OPAL LARGE

LAMP TYPE	USA 3 x 40W (Max) E12 Candelabra
FINISH OPTIONS	Brass Polished Lacquered, Brass Polished Unlacquered, Antique Brass, Bronze (shown), Chrome, Nickel Polished and Nickel Matte.
SIZE & SIMILAR OPTIONS	Mini 5" (PL142/5"), Mini 8" (PL142/8"), Medium (PL85M), Medium 3 WAY (PL85M3), Medium With Hood (PL85MHOOD), Extra Large (PL85XL) and Giant (PL85GT).
WEIGHT	14lb 5oz
ADDITIONAL INFORMATION	Please specify total drop from the ceiling to the bottom of the globe. Minimum overall drop from the ceiling to the bottom of the globe 21".
CLEANING AND MAINTENANCE INSTRUCTIONS	<p>Glass: Remove the glass where it is safe to do so. The glass then can be cleaned with a glass cleaner and a lint free cloth. Do not spray glass cleaner directly on the glass or fixture as it could affect the metal finish. Ensure the light is switched off and take care not to pull the flex or allow water to come into contact with the electrical components. Regular dusting with a feather duster will also help keep the glass clean.</p> <p>Metalwork: We recommend a light polish with a non-abrasive lint free cloth. Do not use any metal cleaning products on the fixture as it can remove the finish entirely. Unlacquered brass finish will patinate slowly over time and can be brightened to brass by the use of a brass cleaning agent.</p>