



HECTOR FINCH

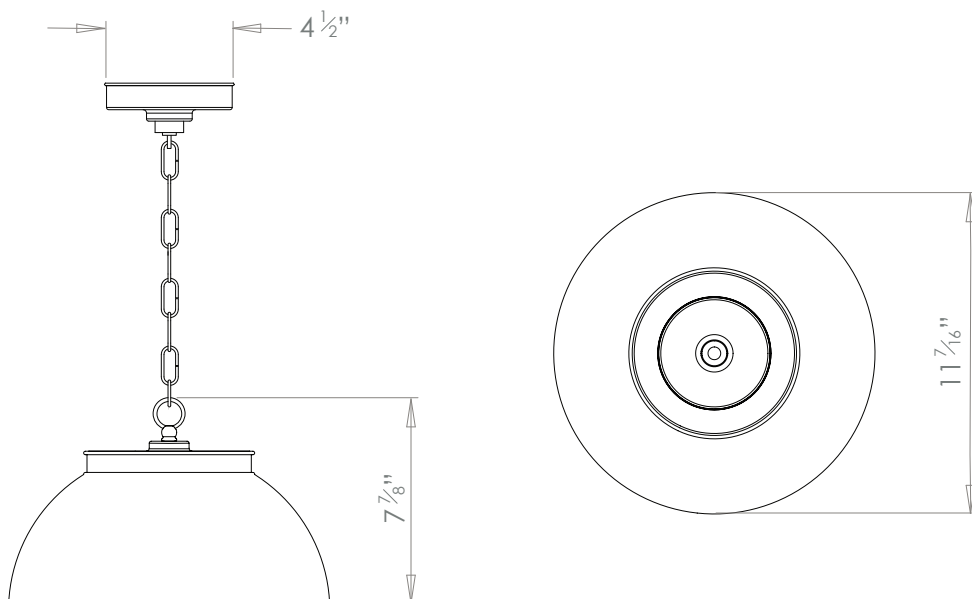
SPUN BRASS DOME PENDANT



PRODUCT CODE PL104

CATEGORY: CHANDELIERS & PENDANTS

DIMENSIONS





PRODUCT CODE PL104

CATEGORY: CHANDELIERS & PENDANTS

SPUN BRASS DOME PENDANT

LAMP TYPE	USA 1 x 60W (Max) E26 General Service
FINISH OPTIONS	Brass Polished Lacquered, Brass Polished Unlacquered, Antique Brass, Bronze (shown), Chrome, Nickel Polished and Nickel Matte.
SIZE & SIMILAR OPTIONS	Mini 5" (PL142/5"), Mini 8" (PL142/8"), Medium (PL85M), Medium 3 WAY (PL85M3), Medium With Hood (PL85MHOOD), Extra Large (PL85XL) and Giant (PL85GT).
ADDITIONAL INFORMATION	Supplied with 36" of chain as standard.
CLEANING AND MAINTENANCE INSTRUCTIONS	Metalwork: We recommend a light polish with a non-abrasive lint free cloth. Do not use any metal cleaning products on the fixture as it can remove the finish entirely. Unlacquered brass finish will patinate slowly over time and can be brightened to brass by the use of a brass cleaning agent.