



HECTOR FINCH

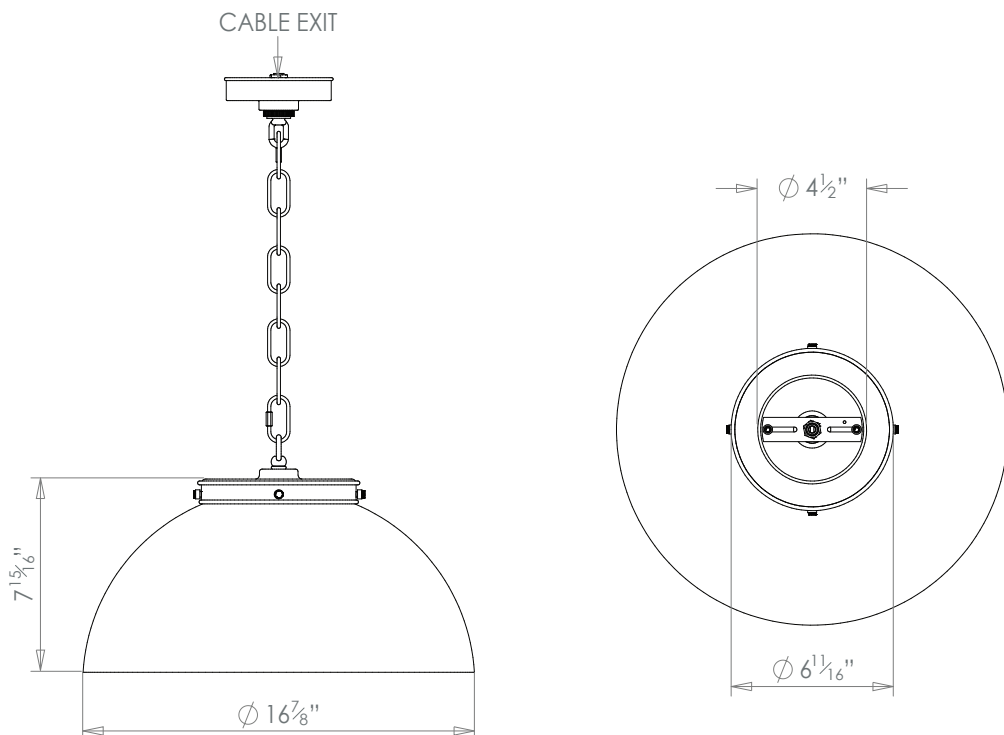
SPUN METAL DOME PENDANT LARGE



PRODUCT CODE PL104L

CATEGORY: CHANDELIERS & PENDANTS

DIMENSIONS





HECTOR FINCH

PRODUCT CODE PL104L

CATEGORY: CHANDELIERS & PENDANTS

SPUN METAL DOME PENDANT LARGE

LAMP TYPE

USA

1 x 60W (Max) E26 General Service

FINISH OPTIONS

Brass Polished Lacquered, Brass Polished Unlacquered, Antique Brass, Bronze (shown), Chrome, Nickel Polished and Nickel Matte.

SIZE & SIMILAR OPTIONS

Mini 5" (PL142/5"), Mini 8" (PL142/8"), Medium (PL85M), Medium 3 WAY (PL85M3), Medium With Hood (PL85MHOOD), Extra Large (PL85XL) and Giant (PL85GT).

ACCREDITATION

This product is UL certificated.



ADDITIONAL INFORMATION

Supplied with 35" of chain and ceiling canopy.

CLEANING AND MAINTENANCE INSTRUCTIONS

Metalwork:

We recommend a light polish with a non-abrasive lint free cloth. Do not use any metal cleaning products on the fixture as it can remove the finish entirely. Unlacquered brass finish will patinate slowly over time and can be brightened to brass by the use of a brass cleaning agent.