



HECTOR FINCH

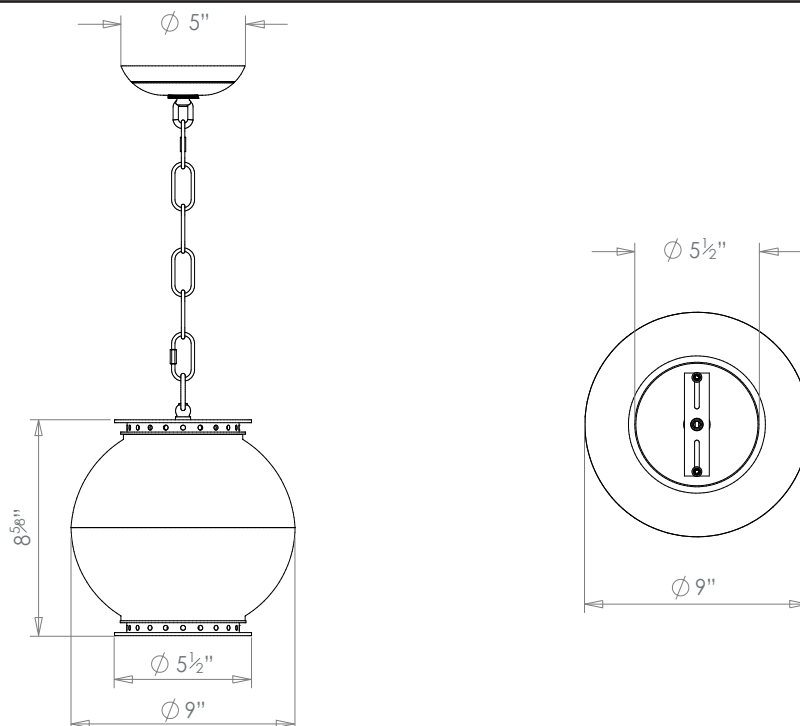
FĒANOR'S GLOBE SMALL



PRODUCT CODE PL106S

CATEGORY: CHANDELIERS & PENDANTS

DIMENSIONS





HECTOR FINCH

PRODUCT CODE PL106S

CATEGORY: CHANDELIERS & PENDANTS

FĒANOR'S GLOBE SMALL

LAMP TYPE	USA 3 x 40W (Max) E26 Golfball
FINISH OPTIONS	Brass Polished Lacquered, Brass Polished Unlacquered, Antique Brass, Bronze (shown), Chrome, Nickel Polished and Nickel Matte.
SIZE & SIMILAR OPTIONS	Fĕanors Globe (PL106), and Fĕanors Globe Wall Light (WL64).
WEIGHT	17lb 10oz
ACCREDITATION	This product is UL certificated. 
ADDITIONAL INFORMATION	Supplied with 35" chain and ceiling canopy. Minimum overall drop from the ceiling to the bottom of the globe 14 3/4"
CLEANING AND MAINTENANCE INSTRUCTIONS	<p>Glass: The glass then be cleaned with a glass cleaner and a lint free cloth. Do not spray glass cleaner directly on the glass or fixture as it could affect the metal finish. Ensure the light is switched off and take care not to pull the flex or allow water to come into contact with the electrical components. Regular dusting with a feather duster will also help keep the glass clean.</p> <p>Metalwork: We recommend a light polish with a non-abrasive lint free cloth. Do not use any metal cleaning products on the fixture as it can remove the finish entirely. Unlacquered brass finish will patinate slowly over time and can be brightened to brass by the use of a brass cleaning agent.</p>