



HECTOR FINCH

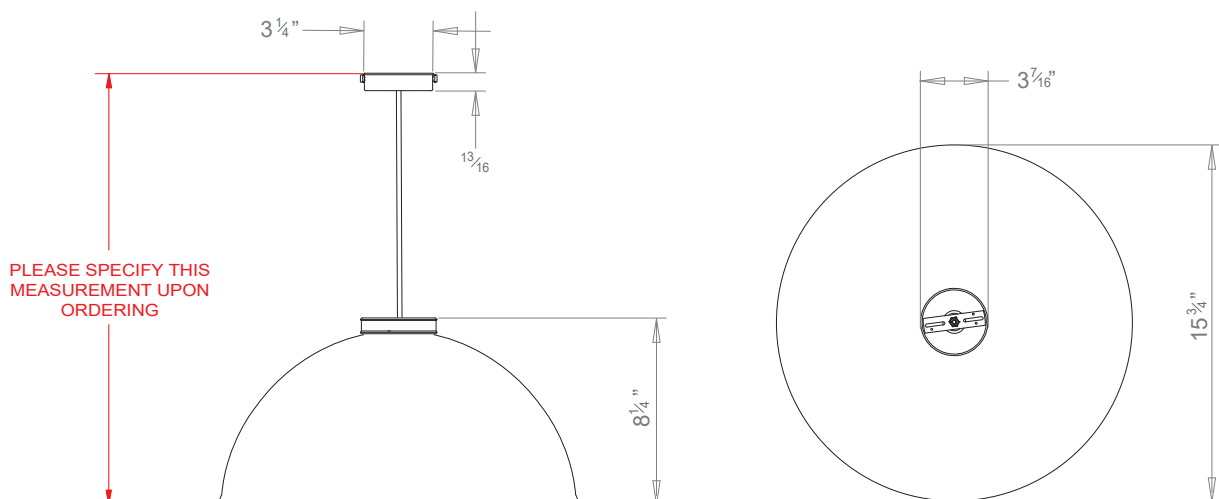
ALABASTER TIBER PENDANT LARGE



PRODUCT CODE PL108L

CATEGORY: CHANDELIERS & PENDANTS

DIMENSIONS





HECTOR FINCH

PRODUCT CODE PL108L

CATEGORY: CHANDELIERS & PENDANTS

ALABASTER TIBER PENDANT LARGE

LAMP TYPE

USA

1 x 60W (Max) E26 Golfball

FINISH OPTIONS

Antique Brass, Brass Polished Lacquered, Brass Polished Unlacquered, Bronze (shown), Chrome, Nickel Polished and Nickel Matte.

SIZE & SIMILAR OPTIONS

Alabaster Tiber Pendant Small (PL108S), Alabaster Bowl Small (PL74S) and Alabaster Bowl Medium (PL74M).

ADDITIONAL INFORMATION

Please specify total drop from the ceiling to the bottom. Alabaster is a natural material so each piece is unique and has small variations.

CLEANING AND MAINTENANCE INSTRUCTIONS

Alabaster:

Alabaster is a very fragile material and it must be treated with great care. Clean with a barely damp cloth, never a wet cloth or do not use any form of liquid on this natural material as this could cause marks or staining.

Metalwork:

We recommend a light polish with a non-abrasive lint free cloth. Do not use any metal cleaning products on the fixture as it can remove the finish entirely. Unlacquered brass finish will patinate slowly over time and can be brightened to brass by the use of a brass cleaning agent.