



HECTOR FINCH

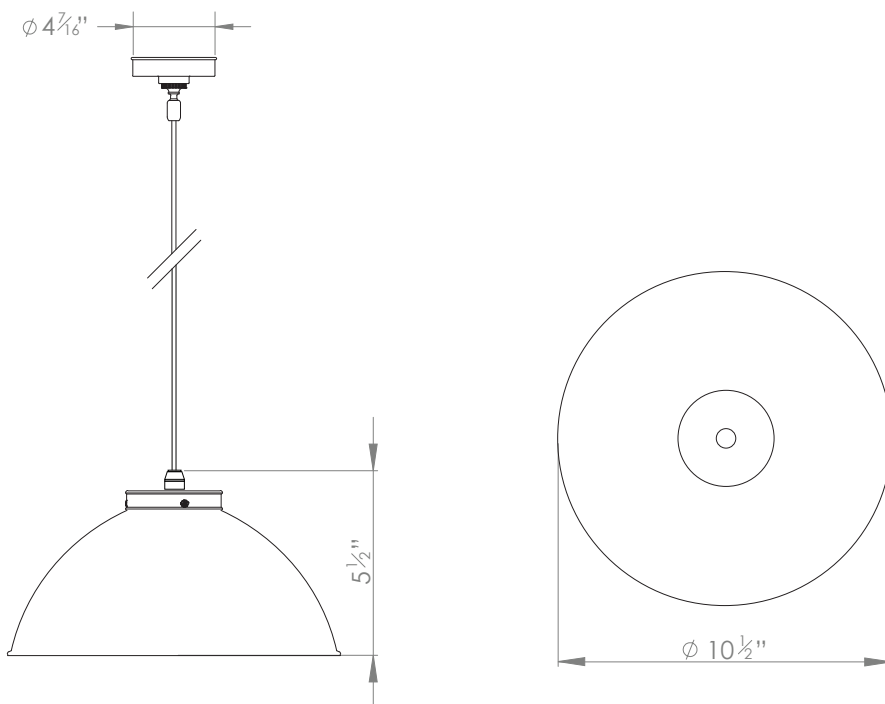
TIBER PENDANT SMALL



PRODUCT CODE PL134S

CATEGORY: CHANDELIERS & PENDANTS

DIMENSIONS








PRODUCT CODE PL134S

CATEGORY: CHANDELIERS & PENDANTS

TIBER PENDANT SMALL

LAMP TYPE	USA 1 x 60W (Max) E26 Golfball
FINISH OPTIONS	Brass Polished Lacquered (shown), Brass Polished Unlacquered, Antique Brass, Bronze, Chrome, Nickel Polished and Nickel Matte.
COLOUR OPTIONS	<div style="display: flex; justify-content: space-around; align-items: center;"><div style="text-align: center;"><p>Grey</p></div><div style="text-align: center;"><p>Green</p></div></div> <p>* Shades can be custom painted with colours from the RAL chart available on request.</p>
SIZE & SIMILAR OPTIONS	Tiber Pendant Large (PL134L), Tiber Pendant With Gold Interior (PL135), Tiber Wall Light (WL72), Tiber Wall Light Double (WL14), Tiber Flush Wall Mounted (WL423), Tiber Flush Ceiling Mounted (CL25), Mini Tiber Flush Mount (CL30), Mini Tiber Wall Light (WL17), Double Tiber Pendant on a Rod (PL405) and Triple Tiber Pendant on a Rod (PL428).
WEIGHT	6lb 10oz
ACCREDITATION	This product is UL certificated. 
ADDITIONAL INFORMATION	Supplied with 36" cable with cord grip lampholder and ceiling canopy. Minimum overall drop from the ceiling to the bottom of the globe 10".
CLEANING AND MAINTENANCE INSTRUCTIONS	Metalwork: We recommend a light polish with a non-abrasive lint free cloth. Do not use any metal cleaning products on the fixture as it can remove the finish entirely. Unlacquered brass finish will patinate slowly over time and can be brightened to brass by the use of a brass cleaning agent.