

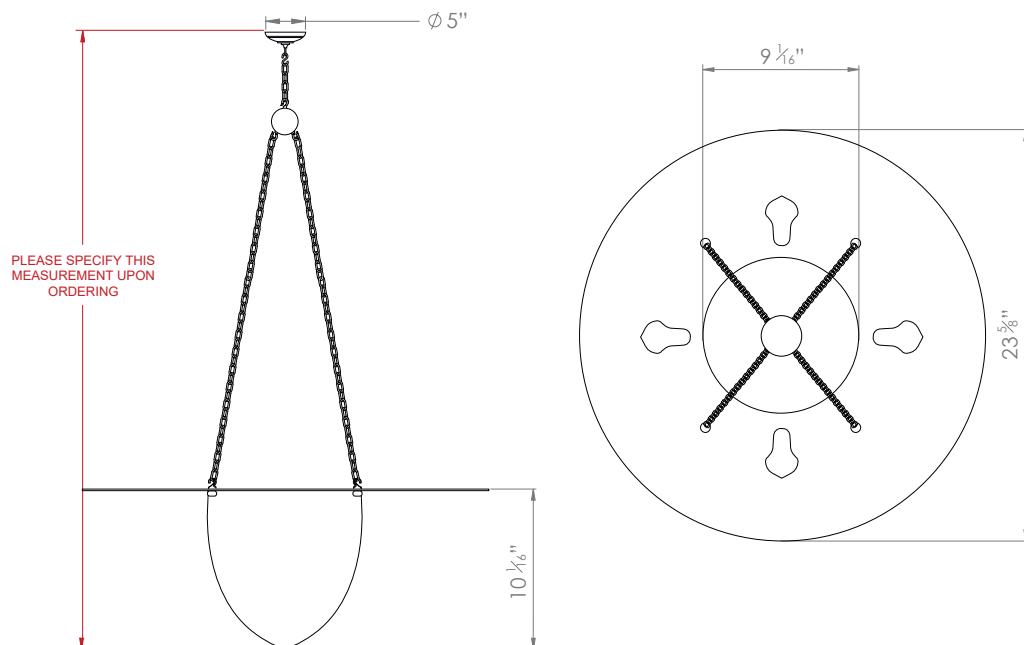
## BETTY ALABASTER PENDANT



PRODUCT CODE PL20

CATEGORY: CHANDELIERS & PENDANTS

### DIMENSIONS





PRODUCT CODE PL20

CATEGORY: CHANDELIERS & PENDANTS

---

## BETTY ALABASTER PENDANT

<b>LAMP TYPE</b>	<b>USA</b> 1 x 60W (Max) E26 General Service
<b>FINISH OPTIONS</b>	Brass Polished Lacquered (shown), Brass Polished Unlacquered, Antique Brass, Bronze and Nickel Polished.
<b>SIZE &amp; SIMILAR OPTIONS</b>	Alabaster Bowl Small (PL74S), Alabaster Bowl Medium (PL74M) and Alabaster Bowl Large (PL74L).
<b>WEIGHT</b>	18lb 12oz
<b>ADDITIONAL INFORMATION</b>	Please specify total drop from the ceiling to the bottom. Minimum overall drop from the ceiling to the bottom 24". Alabaster is a natural material so each piece is unique and has small variations.
<b>CLEANING AND MAINTENANCE INSTRUCTIONS</b>	<p>Alabaster: Alabaster is a very fragile material and it must be treated with great care. Clean with a barely damp cloth, never a wet cloth or do not use any form of liquid on this natural material as this could cause marks or staining.</p> <p>Metalwork: We recommend a light polish with a non-abrasive lint free cloth. Do not use any metal cleaning products on the fixture as it can remove the finish entirely. Unlacquered brass finish will patinate slowly over time and can be brightened to brass by the use of a brass cleaning agent.</p>