



HECTOR FINCH

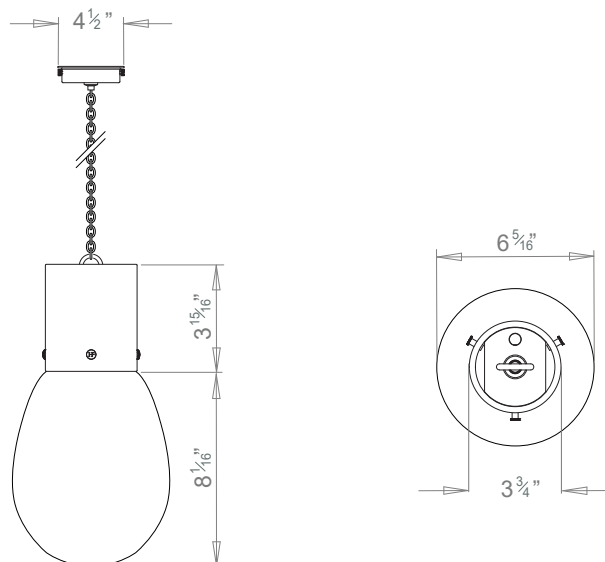
## BUBBLE GLASS PENDANT LARGE



PRODUCT CODE PL21L

CATEGORY: CHANDELIERS & PENDANTS

### DIMENSIONS





PRODUCT CODE PL21L

CATEGORY: CHANDELIERS & PENDANTS

---

## BUBBLE GLASS PENDANT LARGE

<b>LAMP TYPE</b>	<b>UK / EU</b> 1 x 25W (Max) E12 Pygmy Lamp
<b>FINISH OPTIONS</b>	Antique Brass, Brass Polished Lacquered, Brass Polished Unlacquered (shown), Bronze, Chrome, Nickel Polished and Nickel Matte.
<b>SIZE &amp; SIMILAR OPTIONS</b>	Bubble Glass Pendant Small (PL21S) and Bubble Glass Wall Light (WL21).
<b>ADDITIONAL INFORMATION</b>	Supplied with 36" of chain and ceiling plate.
<b>CLEANING AND MAINTENANCE INSTRUCTIONS</b>	<p>Glass: Remove the glass where it is safe to do so. The glass then can be cleaned with a glass cleaner and a lint free cloth. Do not spray glass cleaner directly on the glass or fixture as it could affect the metal finish. Ensure the light is switched off and take care not to pull the flex or allow water to come into contact with the electrical components. Regular dusting with a feather duster will also help keep the glass clean.</p> <p>Metalwork: We recommend a light polish with a non-abrasive lint free cloth. Do not use any metal cleaning products on the fixture as it can remove the finish entirely. Unlacquered brass finish will patinate slowly over time and can be brightened to brass by the use of a brass cleaning agent.</p>