



HECTOR FINCH

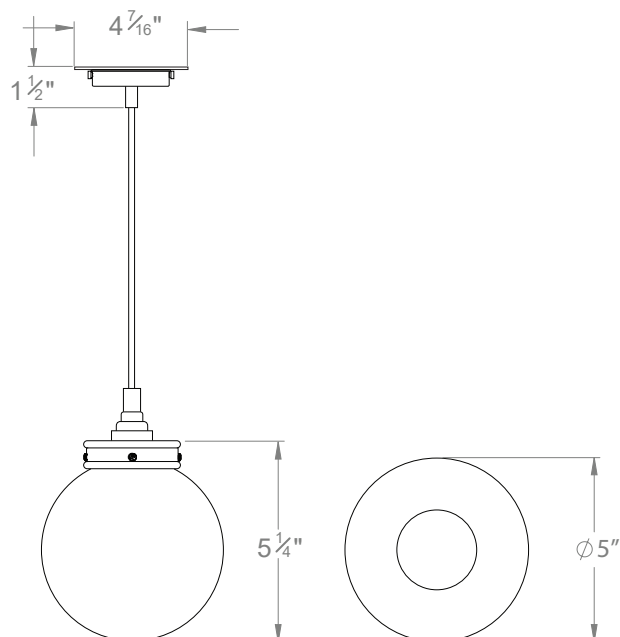
HAMMERED GLASS GLOBE PENDANT MINI



PRODUCT CODE PL22

CATEGORY: CHANDELIERS & PENDANTS

DIMENSIONS






PRODUCT CODE PL22

CATEGORY: CHANDELIERS & PENDANTS

HAMMERED GLASS GLOBE PENDANT MINI

LAMP TYPE	USA 1 x 40W E12 Golfball
FINISH OPTIONS	Brass Polished Lacquered, Brass Polished Unlacquered, Antique Brass (shown), Bronze, Chrome, Nickel Polished and Nickel Matte.
SIZE & SIMILAR OPTIONS	Hector Mini Globe Pendant 8" (PL142) and Hector Mini Globe Wall Light Clear Glass (WL424).
SIZE & SIMILAR OPTIONS	Hammered Glass Globe Small (PL22S), Hammered Glass Globe Large (PL22L), Hammered Globe Wall Light (WL92) and Hammered Globe L-Bracket Wall Light (WL183).
ACCREDITATION	This product is UL certificated. 
ADDITIONAL INFORMATION	Supplied with 36" of cable with cord grip lampholder and ceiling plate. Minimum overall drop from the ceiling to the bottom of the globe 8 1/4" .
CLEANING AND MAINTENANCE INSTRUCTIONS	<p>Glass: Remove the glass where it is safe to do so. The glass then can be cleaned with a glass cleaner and a lint free cloth. Do not spray glass cleaner directly on the glass or fixture as it could affect the metal finish. Ensure the light is switched off and take care not to pull the flex or allow water to come into contact with the electrical components. Regular dusting with a feather duster will also help keep the glass clean.</p> <p>Metalwork: We recommend a light polish with a non-abrasive lint free cloth. Do not use any metal cleaning products on the fixture as it can remove the finish entirely. Unlacquered brass finish will patinate slowly over time and can be brightened to brass by the use of a brass cleaning agent.</p>