



HECTOR FINCH

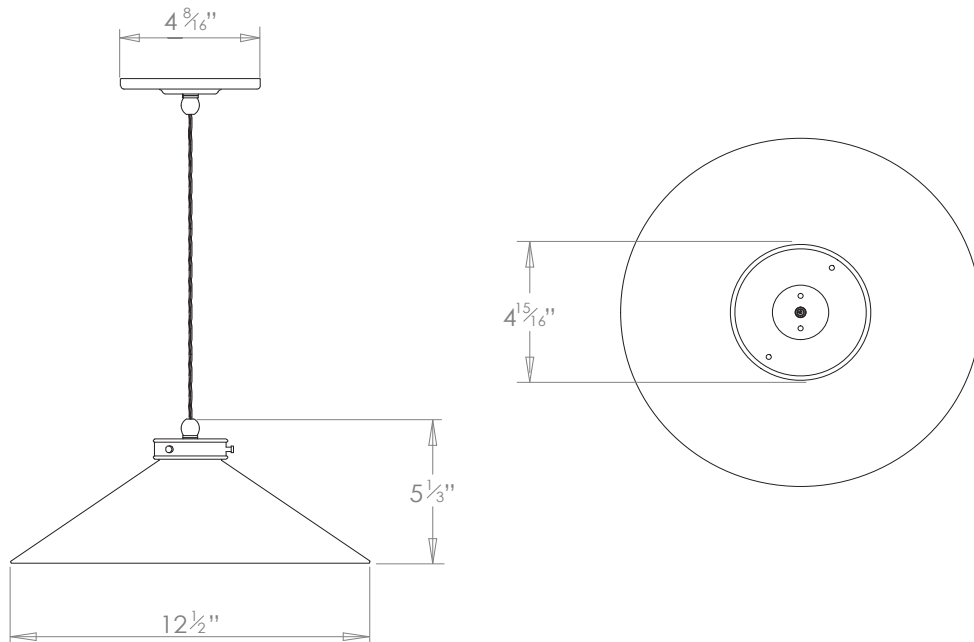
LUCIA PENDANT MEDIUM



PRODUCT CODE PL300M

CATEGORY: CHANDELIERS & PENDANTS

DIMENSIONS







PRODUCT CODE PL300M

CATEGORY: CHANDELIERS & PENDANTS

LUCIA PENDANT MEDIUM

LAMP TYPE	USA 1 x 60W (Max) E26 Golfball
FINISH OPTIONS	Brass Polished Lacquered, Brass Polished Unlacquered, Antique Brass (shown), Bronze, Chrome, Nickel Polished and Nickel Matte.
COLOUR OPTIONS	 Acqua Arancio Bianco Grigio Naturale Naval Nero Rosso Taupe
SIZE & SIMILAR OPTIONS	Lucia Pendant Small (PL300S), Lucia Pendant Large (PL300L), Lucia Pendant Extra large (PL300XL), Lucia Wall Light (WL300), Lucia L Bracket Wall Light (WL301), Lucia Rise and Fall Wall Light (WL449) and Lucia Rise and Fall Pendant (PL321).
WEIGHT	4lb 7oz
ACCREDITATION	This product is UL certified. 
ADDITIONAL INFORMATION	Supplied with 35" cable with cord grip lampholder and ceiling canopy. Minimum overall drop from the ceiling to the bottom 7".
CLEANING AND MAINTENANCE INSTRUCTIONS	<p>Ceramic: The ceramic components can be cleaned with a light spray of water and a lint free cloth. Ensure the light is switched off and take care not to pull the flex or allow water to come into contact on the electrical components.</p> <p>Metalwork: We recommend a light polish with a non-abrasive lint free cloth. Do not use any metal cleaning products on the fixture as it can remove the finish entirely. Unlacquered brass finish will patinate slowly over time and can be brightened to brass by the use of a brass cleaning agent.</p>