



HECTOR FINCH

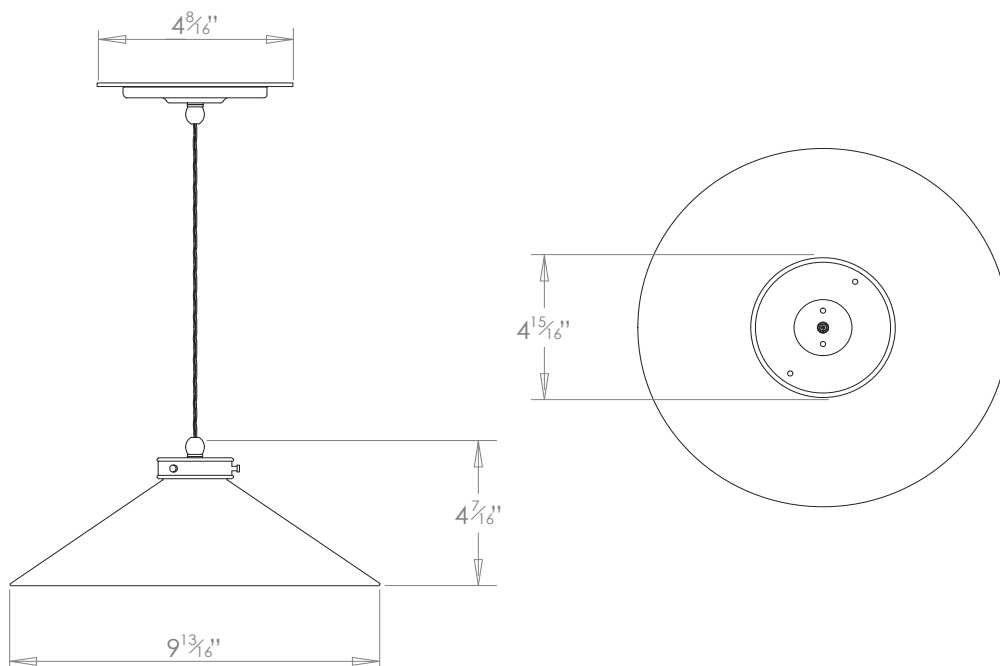
LUCIA PENDANT SMALL



PRODUCT CODE PL300S

CATEGORY: CHANDELIERS & PENDANTS

DIMENSIONS







HECTOR FINCH

PRODUCT CODE PL300S

CATEGORY: CHANDELIERS & PENDANTS

LUCIA PENDANT SMALL

LAMP TYPE	USA 1 x 60W (Max) E26 Golfball
FINISH OPTIONS	Brass Polished Lacquered, Brass Polished Unlacquered, Antique Brass (shown), Bronze, Chrome, Nickel Polished and Nickel Matte.
COLOUR OPTIONS	 Acqua Arancio Bianco Naval Grigio Naturale Nero Rosso Taupe
SIZE & SIMILAR OPTIONS	Lucia Pendant Medium (PL300M), Lucia Pendant Large (PL300L), Lucia Pendant Extra large (PL300XL), Lucia Wall Light (WL300), Lucia L Bracket Wall Light (WL301), Lucia Rise and Fall Wall Light (WL449) and Lucia Rise and Fall Pendant (PL321).
WEIGHT	3lb 5oz
ACCREDITATION	This product is UL certificated. 
ADDITIONAL INFORMATION	Supplied with 35" cable with cord grip lampholder and ceiling canopy. Minimum overall drop from the ceiling to the bottom 7".
CLEANING AND MAINTENANCE INSTRUCTIONS	<p>Ceramic: The ceramic components can be cleaned with a light spray of water and a lint free cloth. Ensure the light is switched off and take care not to pull the flex or allow water to come into contact on the electrical components.</p> <p>Metalwork: We recommend a light polish with a non-abrasive lint free cloth. Do not use any metal cleaning products on the fixture as it can remove the finish entirely. Unlacquered brass finish will patinate slowly over time and can be brightened to brass by the use of a brass cleaning agent.</p>