



HECTOR FINCH

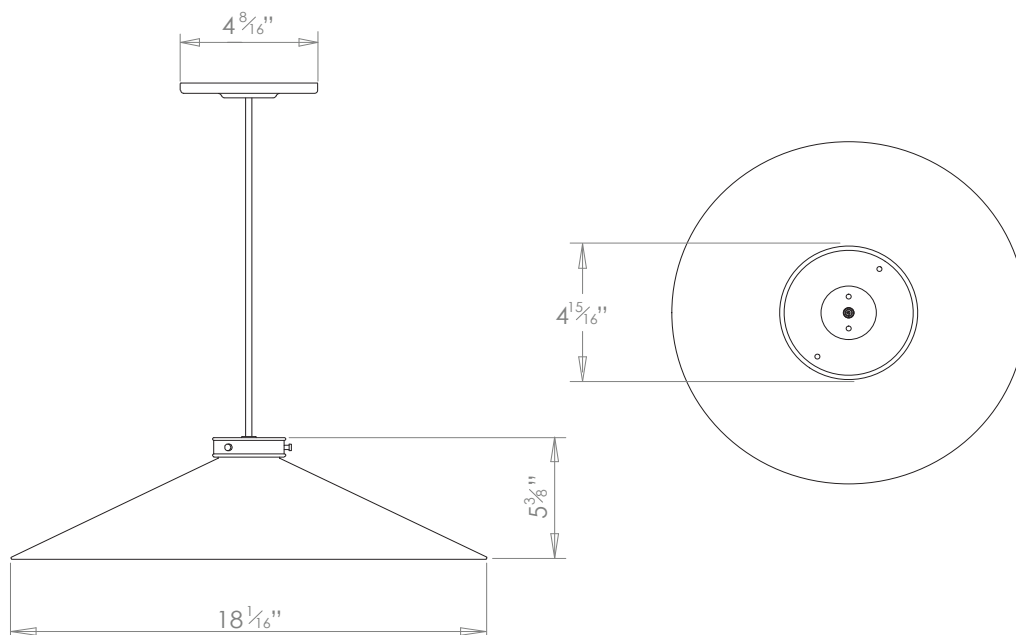
LUCIA PENDANT EXTRA LARGE



PRODUCT CODE PL300XL

CATEGORY: CHANDELIERS & PENDANTS

DIMENSIONS





PRODUCT CODE PL300XL

CATEGORY: CHANDELIERS & PENDANTS

LUCIA PENDANT EXTRA LARGE

LAMP TYPE	UK / EU 1 x 60W (Max) E27 Golfball
FINISH OPTIONS	Brass Polished Lacquered, Brass Polished Unlacquered, Antique Brass, Bronze, Chrome (shown), Nickel Polished and Nickel Matte.
SIZE & SIMILAR OPTIONS	Lucia Pendant Small (PL300S), Lucia Pendant Medium (PL300M), Lucia Pendant Large (PL300L), Lucia Wall Light (WL300), Lucia L Bracket Wall Light (WL301), Lucia Rise and Fall Wall Light (WL449) and Lucia Rise and Fall Pendant (PL321).
WEIGHT	5kg
ADDITIONAL INFORMATION	Supplied with a rod. Minimum overall drop from the ceiling to the bottom 220mm.
CLEANING AND MAINTENANCE INSTRUCTIONS	<p>Ceramic: The ceramic components can be cleaned with a light spray of water and a lint free cloth. Ensure the light is switched off and take care not to pull the flex or allow water to come into contact on the electrical components.</p> <p>Metalwork: We recommend a light polish with a non-abrasive lint free cloth. Do not use any metal cleaning products on the fixture as it can remove the finish entirely. Unlacquered brass finish will patinate slowly over time and can be brightened to brass by the use of a brass cleaning agent.</p>