



HECTOR FINCH

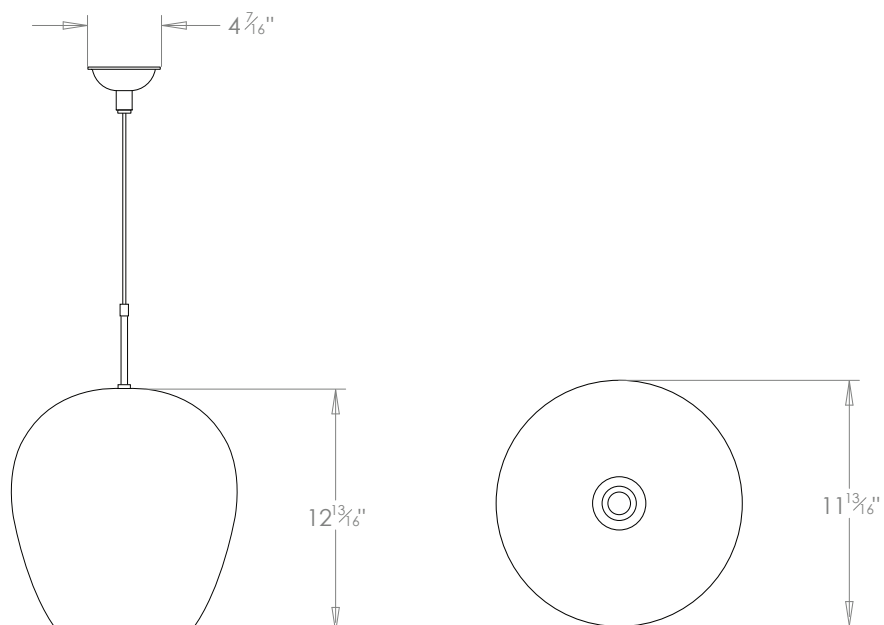
CHIARA PENDANT MARRONE GIANT



PRODUCT CODE PL304GT

CATEGORY: CHANDELIERS & PENDANTS

DIMENSIONS





PRODUCT CODE PL304GT

CATEGORY: CHANDELIERS & PENDANTS

CHIARA PENDANT MARRONE GIANT

**LAMP TYPE
INCANDESCENT****USA**
1 x 60W (Max) E26 General Service

FINISH OPTIONS

Brass Polished Lacquered (shown), Brass Polished Unlacquered, Antique Brass, Bronze, Chrome, Nickel Polished and Nickel Matt.

SIZE & SIMILAR OPTIONS

Chiara Pendant Large (PL304L), Chiara Pendant Extra Large (PL304XL) and Chiara Wall Light (WL304).

GLASS WEIGHT

6.7lbs

**ADDITIONAL
INFORMATION**

Minimum overall drop from the ceiling to the bottom 20".

**CLEANING AND
MAINTENANCE
INSTRUCTIONS**

Glass:
Remove the glass where it is safe to do so. The glass then can be cleaned with a glass cleaner and a lint free cloth. Do not spray glass cleaner directly on the glass or fixture as it could affect the metal finish. Ensure the light is switched off and take care not to pull the flex or allow water to come into contact with the electrical components. Regular dusting with a feather duster will also help keep the glass clean.

Metalwork:
We recommend a light polish with a non-abrasive lint free cloth. Do not use any metal cleaning products on the fixture as it can remove the finish entirely. Unlacquered brass finish will patinate slowly over time and can be brightened to brass by the use of a brass cleaning agent.