



HECTOR FINCH

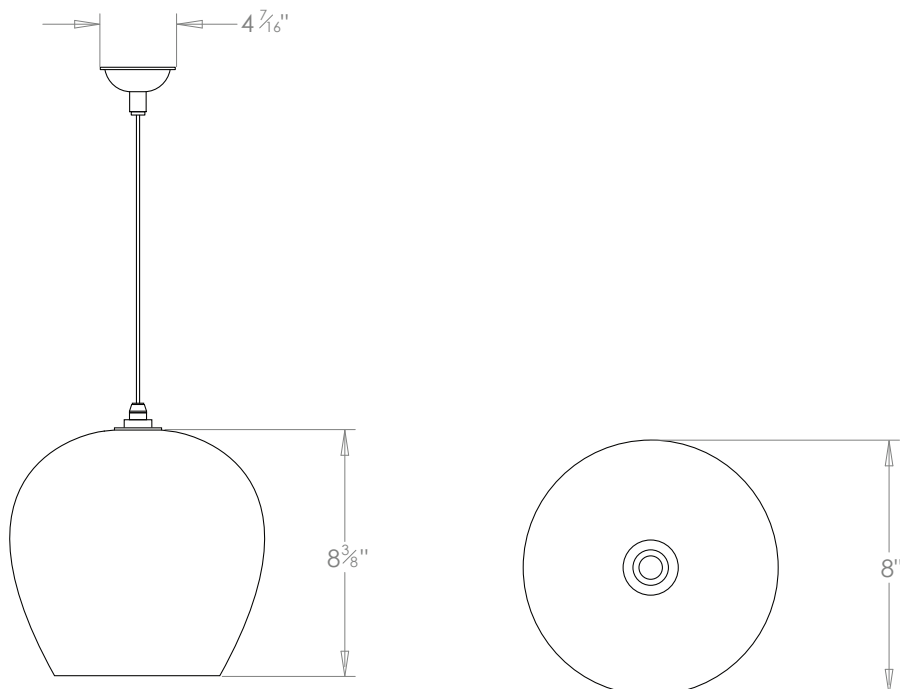
CHIARA PENDANT TURCHESE EXTRA LARGE



PRODUCT CODE PL304XL

CATEGORY: CHANDELIERS & PENDANTS

DIMENSIONS





PRODUCT CODE PL304XL

CATEGORY: CHANDELIERS & PENDANTS

CHIARA PENDANT TURCHESE EXTRA LARGE

LAMP TYPE INCANDESCENT	USA 1 x Osh Lamp with G9 3W LED
FINISH OPTIONS	Brass Polished Lacquered, Brass Polished Unlacquered, Antique Brass (shown), Bronze, Chrome, Nickel Polished and Nickel Matt.
SIZE & SIMILAR OPTIONS	Chiara Pendant Large (PL304L), Chiara Wall Light (WL304) and Chiara Pendant Giant (PL304GT).
WEIGHT	4lb 7oz
ADDITIONAL INFORMATION	Supplied with 35" cable with cord grip lampholder and ceiling canopy. Minimum overall drop from the ceiling to the bottom 14".
CLEANING AND MAINTENANCE INSTRUCTIONS	<p>Glass: Remove the glass where it is safe to do so. The glass then can be cleaned with a glass cleaner and a lint free cloth. Do not spray glass cleaner directly on the glass or fixture as it could affect the metal finish. Ensure the light is switched off and take care not to pull the flex or allow water to come into contact with the electrical components. Regular dusting with a feather duster will also help keep the glass clean.</p> <p>Metalwork: We recommend a light polish with a non-abrasive lint free cloth. Do not use any metal cleaning products on the fixture as it can remove the finish entirely. Unlacquered brass finish will patinate slowly over time and can be brightened to brass by the use of a brass cleaning agent.</p>