



HECTOR FINCH

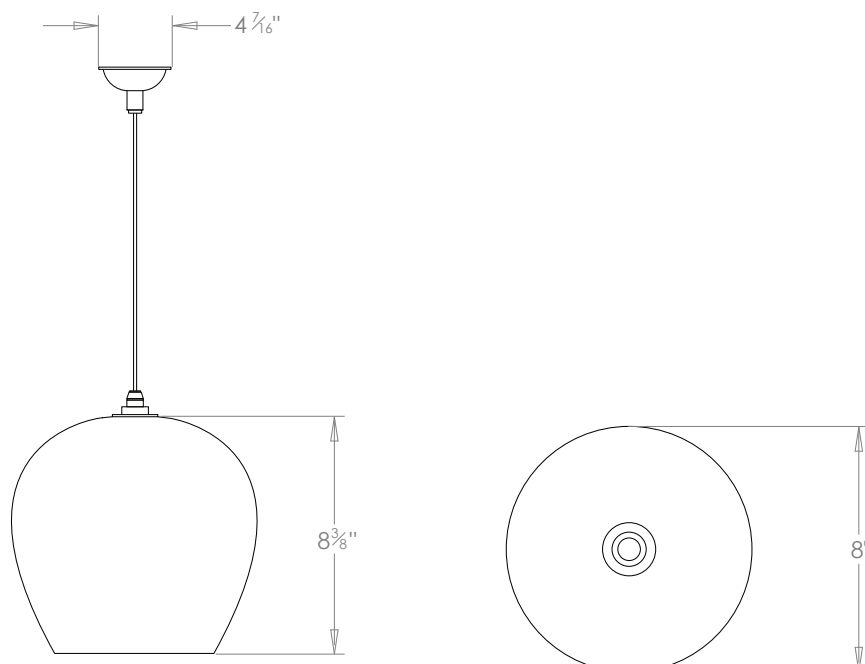
## CHIARA PENDANT EXTRA LARGE



PRODUCT CODE PL304XL

CATEGORY: CHANDELIERS & PENDANTS

### DIMENSIONS

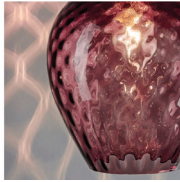








PRODUCT CODE PL304XL

CATEGORY: CHANDELIERS & PENDANTS

## CHIARA PENDANT EXTRA LARGE

<b>LAMP TYPE</b>	<b>USA</b> 1 x Osh Lamp with 33W (Max) G9 halogen
<b>FINISH OPTIONS</b>	Brass Polished Lacquered, Brass Polished Unlacquered, Antique Brass (shown), Bronze, Chrome, Nickel Polished and Nickel Matt.
<b>COLOUR OPTIONS</b>	     Viola      Grigio      Marrone      Turchese      Blu Avio
<b>SIZE &amp; SIMILAR OPTIONS</b>	Chiara Pendant Large (PL304L), Chiara Wall Light Small (WL304S), Chiara Wall Light Large (WL304L) and Chiara Pendant Giant (PL304GT).
<b>WEIGHT</b>	4lb 7oz
<b>ADDITIONAL INFORMATION</b>	Supplied with 35" cable with cord grip lampholder and ceiling canopy. Minimum overall drop from the ceiling to the bottom 14".
<b>CLEANING AND MAINTENANCE INSTRUCTIONS</b>	<p><b>Glass:</b> Remove the glass where it is safe to do so. The glass then can be cleaned with a glass cleaner and a lint free cloth. Do not spray glass cleaner directly on the glass or fixture as it could affect the metal finish. Ensure the light is switched off and take care not to pull the flex or allow water to come into contact with the electrical components. Regular dusting with a feather duster will also help keep the glass clean.</p> <p><b>Metalwork:</b> We recommend a light polish with a non-abrasive lint free cloth. Do not use any metal cleaning products on the fixture as it can remove the finish entirely. Unlacquered brass finish will patinate slowly over time and can be brightened to brass by the use of a brass cleaning agent.</p>