



HECTOR FINCH

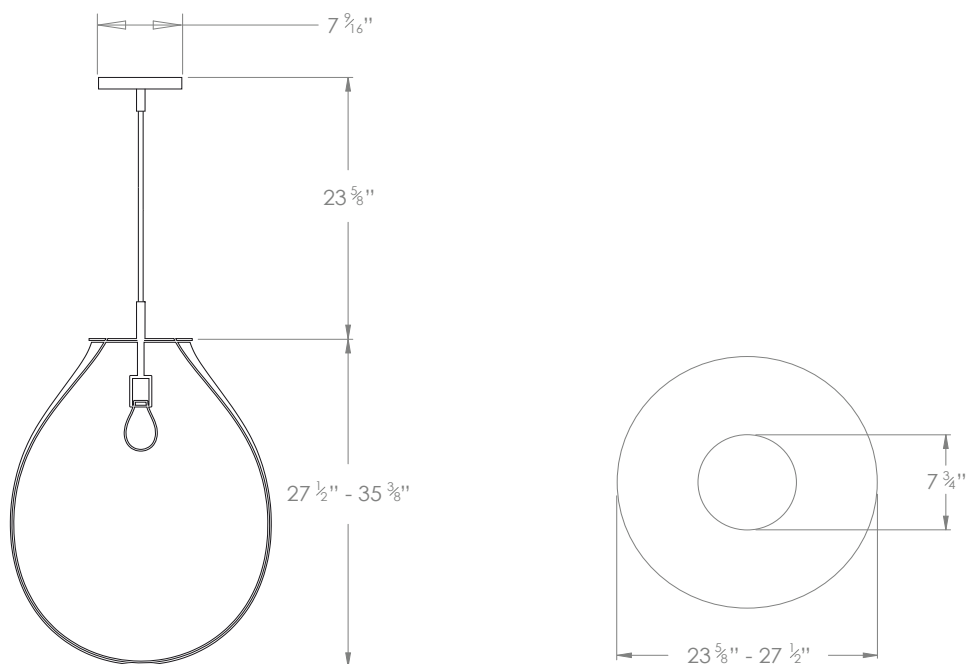
TIM PENDANT LARGE



PRODUCT CODE PL345L

CATEGORY: CHANDELIERS & PENDANTS

DIMENSIONS





PRODUCT CODE PL345L

CATEGORY: CHANDELIERS & PENDANTS

TIM PENDANT LARGE

LAMP TYPE

USA

1 x 60W (Max) E26 General Service

FINISH OPTIONS

Nickel Polished, Black and Copper (shown).

SIZE & SIMILAR OPTIONS

Tim Pendant Small (PL345S), Tim Pendant Medium (PL345M), Tim Pendant Smoke Grey (PL345SG), Soap Pendant Blue (PL369) and Soap Pendant Clear (PL371).

WEIGHT

48lb 8oz

**CLEANING AND
MAINTENANCE
INSTRUCTIONS**

Glass:

Remove the glass where it is safe to do so. The glass then can be cleaned with a glass cleaner and a lint free cloth. Do not spray glass cleaner directly on the glass or fixture as it could affect the metal finish. Ensure the light is switched off and take care not to pull the flex or allow water to come into contact with the electrical components. Regular dusting with a feather duster will also help keep the glass clean.

Metalwork:

We recommend a light polish with a non-abrasive lint free cloth. Do not use any metal cleaning products on the fixture as it can remove the finish entirely. Unlacquered brass finish will patinate slowly over time and can be brightened to brass by the use of a brass cleaning agent.