



HECTOR FINCH

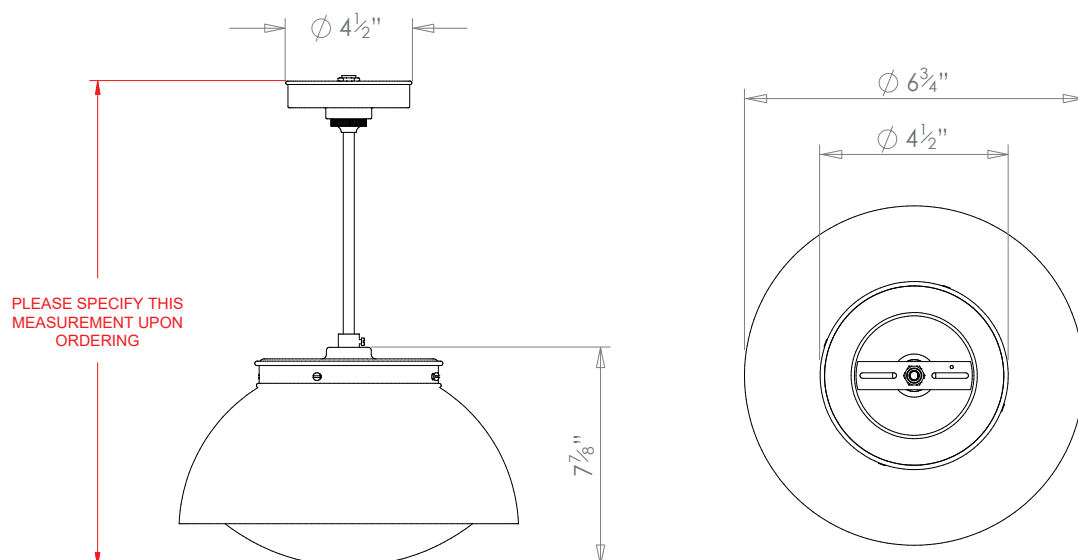
## SPUN METAL PENDANT WITH OPAL LENS



PRODUCT CODE PL35

CATEGORY: CHANDELIERS & PENDANTS

### DIMENSIONS





PRODUCT CODE PL35

CATEGORY: CHANDELIERS & PENDANTS

---

## SPUN METAL PENDANT WITH OPAL LENS

<b>LAMP TYPE</b>	<b>USA</b> 1 x 60W (Max) E26 Golfball
<b>FINISH OPTIONS</b>	Brass Polished Lacquered, Brass Polished Unlacquered, Antique Brass (shown), Bronze, Chrome, Nickel Polished and Nickel Matt.
<b>SIZE &amp; SIMILAR OPTIONS</b>	Spun Brass Dome Pendant (PL104), Hector Glass Globe, Medium, With Hood, Single Fitting, Opal Glass (PL103MHood), and Hector Glass Globe Large, With Hood, Opal Glass (PL103LHood).
<b>ADDITIONAL INFORMATION</b>	Please specify total drop from the ceiling to the bottom of the globe. Minimum overall drop from the ceiling to the bottom of the globe 17 3/8".
<b>CLEANING AND MAINTENANCE INSTRUCTIONS</b>	<p>Glass: The glass can be cleaned with a glass cleaner and a lint free cloth. Do not spray glass cleaner directly on the glass or fixture as it could affect the metal finish. Ensure the light is switched off and take care not to pull the flex or allow water to come into contact with the electrical components. Regular dusting with a feather duster will also help keep the glass clean.</p> <p>Metalwork: We recommend a light polish with a non-abrasive lint free cloth. Do not use any metal cleaning products on the fixture as it can remove the finish entirely. Unlacquered brass finish will patinate slowly over time and can be brightened to brass by the use of a brass cleaning agent</p>