



HECTOR FINCH

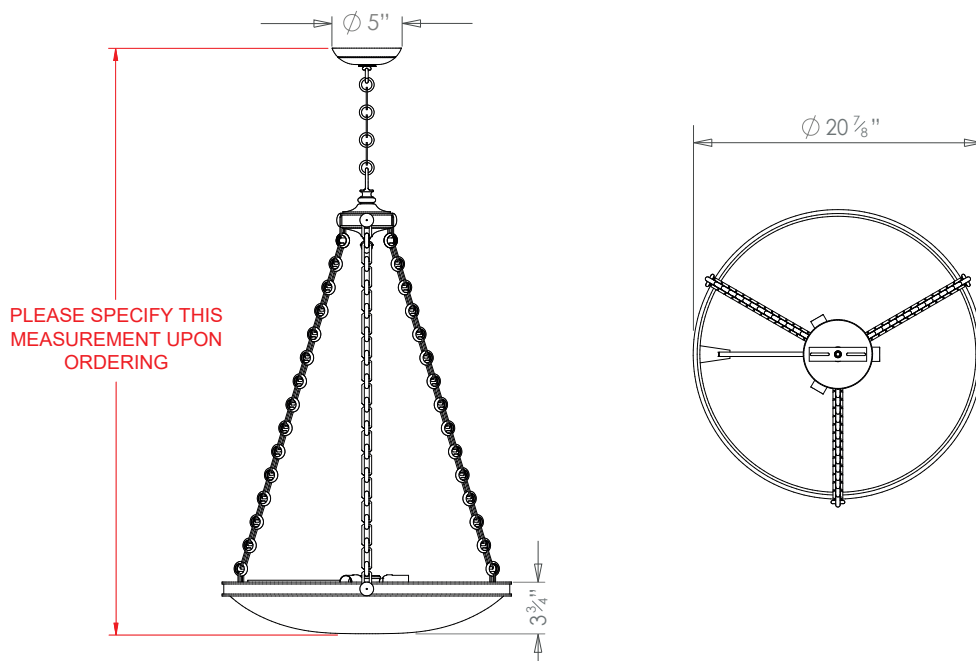
## ASTER PENDANT WITH FROSTED GLASS



PRODUCT CODE PL355

CATEGORY: CHANDELIERS & PENDANTS

### DIMENSIONS





PRODUCT CODE PL355

CATEGORY: CHANDELIERS & PENDANTS

---

## ASTER PENDANT WITH FROSTED GLASS

<b>LAMP TYPE</b>	<b>USA</b> 3 x 40W (Max) E12 Candelabra
<b>FINISH OPTIONS</b>	Brass Polished Lacquered, Brass Polished Unlacquered, Antique Brass (shown), Bronze, Chrome, Nickel Polished and Nickel Matt.
<b>ADDITIONAL INFORMATION</b>	Please specify total drop from the ceiling to the bottom. Minimum overall drop from the ceiling to the bottom 24"
<b>CLEANING AND MAINTENANCE INSTRUCTIONS</b>	<p>Glass: The glass can be cleaned with a glass cleaner and a lint free cloth. Do not spray glass cleaner directly on the glass or fixture as it could affect the metal finish. Ensure the light is switched off and take care not to pull the flex or allow water to come into contact with the electrical components. Regular dusting with a feather duster will also help keep the glass clean.</p> <p>Metalwork: We recommend a light polish with a non-abrasive lint free cloth. Do not use any metal cleaning products on the fixture as it can remove the finish entirely. Unlacquered brass finish will patinate slowly over time and can be brightened to brass by the use of a brass cleaning agent.</p>